



*Lamborghini*  
CALORECLIMA

AZIENDA CERTIFICATA ISO 9001



cod. 3541P701 – Rev. 00 – 10/2018



**FL D HF24/32**

**EN** INSTRUCTIONS FOR USE, INSTALLATION AND MAINTENANCE

**RU** ТЕХНИЧЕСКИЙ ПАСПОРТ ИЗДЕЛИЯ  
РУКОВОДСТВО ПО ЭКСПЛУАТАЦИИ, МОНТАЖУ И ТЕХОБСЛУЖИВАНИЮ

**EN**

**1. GENERAL INFORMATION**

- Read the warnings in this instruction booklet carefully since they provide important information on safe installation, use and maintenance.
- This instruction booklet is an integral and essential part of the product and must be kept with care by the user for future reference.
- If the unit is sold or transferred to another owner or if it is to be moved, always make sure the booklet stays with the boiler so that it can be consulted by the new owner and/or installer.
- Installation and maintenance must be carried out by professionally qualified personnel, according to current regulations and the manufacturer's instructions.
- Incorrect installation or inadequate maintenance can result in damage or injury. The manufacturer declines any liability for damage caused by errors in installation and use or by failure to follow the instructions provided.
- Before carrying out any cleaning or maintenance operation, disconnect the unit from the power supply using the system switch and/or the special cut-off devices.
- In case of a fault and/or poor operation, deactivate the unit and do not try to repair it or directly intervene. Contact professionally qualified personnel. Any repair/replacement of the products must only be carried out by qualified personnel using genuine parts. Failure to comply with the above can compromise the safety of the unit.
- Periodic maintenance performed by qualified personnel is essential in order to ensure proper operation of the unit.
- This unit must only be used for its intended purpose. Any other use is deemed improper and therefore hazardous.
- After unpacking, check the good condition of the contents. The packing materials are potentially hazardous and must not be left within the reach of children.
- The unit can be used by children aged at least 8 years and by persons with reduced physical, sensory or mental capabilities, or lacking experience or the necessary knowledge, only if under supervision or they have received instructions on its safe use and the related risks. Children must not play with the unit. Cleaning and maintenance intended to be done by the user can be carried out by children aged at least 8 years only if under supervision.
- In case of doubt, do not use the unit. Contact the supplier.
- The unit and its accessories must be appropriately disposed of in compliance with current regulations.
- The images given in this manual are a simplified representation of the product. In this representation there may be slight and insignificant differences with respect to the product supplied.


**CE** THE CE MARKING CERTIFIES THAT THE PRODUCTS MEET THE ESSENTIAL REQUIREMENTS OF THE RELEVANT DIRECTIVES IN FORCE. THE DECLARATION OF CONFORMITY MAY BE REQUESTED FROM THE MANUFACTURER.

**2. OPERATING INSTRUCTIONS**

**2.1 Introduction**

Dear Customer,

FL D HF is a high-efficiency sealed chamber heat generator for heating and hot water production (optional) running on natural gas or LPG, and equipped with a microprocessor control system.

 The boiler is arranged for connection to an external storage tank for hot water (optional). In this manual all the functions relevant to domestic hot water production are only active with the optional hot water tank connected as indicated in sec. 3.3

**2.2 Control panel**

Panel

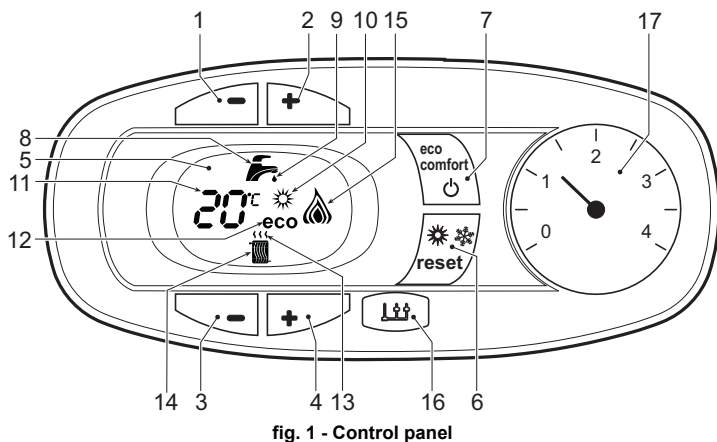


fig. 1 - Control panel

**Key of panel fig. 1**

- DHW temperature setting decrease button
- DHW temperature setting increase button
- Heating system temperature setting decrease button
- Heating system temperature setting increase button
- Display
- "Sliding Temperature" Menu - Summer/Winter mode selection - Reset button
- Unit On/Off - Economy/Comfort mode selection button
- DHW symbol
- DHW mode
- Summer mode
- Multifunction
- Eco (Economy) mode
- Heating
- Heating symbol
- Burner lit and actual power level (flashing during combustion fault function)
- Service Tool connection
- Water gauge

**Indication during operation**

**Heating**

A heating demand (generated by the Room Thermostat or Remote Timer Control) is indicated by flashing of the hot air above the radiator on the display.

The display (detail 11 - fig. 1) shows the actual heating delivery temperature and, during heating standby time, the message "d2".

**Domestic hot water (DHW)**

A DHW demand (generated by drawing domestic hot water) is indicated by flashing of the hot water under the tap on the display.

The display (detail 11 - fig. 1) shows the actual DHW outlet temperature and, during DHW standby time, the message "d1".

**Comfort**

A Comfort demand (reinstatement of temperature inside the boiler) is indicated by flashing of the water under the tap on the display. The display (detail 11 - fig. 1) shows the actual temperature of the water in the boiler.

**Fault**

In case of a fault (see cap. 4.4) the display shows the fault code (detail 11 - fig. 1) and during safety pause times the messages "d3", "d4" and "d5".

**2.3 Lighting and shutdown**

**Connection to the power supply**

- During the first 5 seconds the display will also show the card software release.
- Open the gas cock ahead of the boiler.
- The boiler is now ready to function automatically whenever domestic hot water is drawn or in case of a heating demand (generated by Room Thermostat or Remote Temperature Control).

**Turning the boiler off and on**

Press the **on/off** button (detail 7 - fig. 1) for 5 seconds.

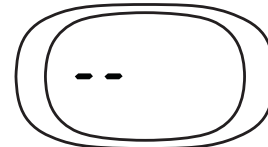


fig. 2 - Turning the boiler off

When the boiler is turned off, the circuit board is still powered. Domestic hot water and heating are disabled. The frost protection system remains activated. To relight the boiler, press the **on/off** button (detail 7 fig. 1) again for 5 seconds.

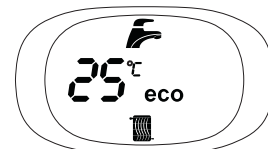


fig. 3

The boiler will be immediately ready to work whenever domestic hot water is drawn or in case of a heating demand (generated by the Room Thermostat or the Remote Timer control).



The frost protection system does not work when the power and/or gas to the unit are turned off. To avoid damage caused by freezing during long shutdowns in winter, it is advisable to drain all water from the boiler, the DHW circuit and the heating system water; or drain just the DHW circuit and add a suitable antifreeze to the heating system, as prescribed in sec. 3.3.

## 2.4 Adjustments

### Summer/Winter Switchover

Press the **summer/winter** button (detail 6 - fig. 1) for 2 seconds.

The display activates the Summer symbol (detail 10 - fig. 1): the boiler will only deliver domestic hot water. The antifreeze system remains activated.

To deactivate the Summer mode, press the **summer/winter** button (detail 6 - fig. 1) again for 2 seconds.

### Heating temperature adjustment

Use the heating buttons (details 3 and 4 - fig. 1) to adjust the temperature from a min. of 30°C to a max. of 80°C; in any case, it is advisable not to operate the boiler below 45°C.

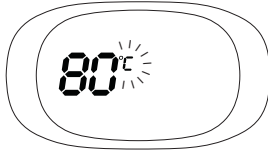


fig. 4

### DHW temperature adjustment

Use the DHW buttons (details 1 and 2 - fig. 1) to adjust the temperature from a min. of 40°C to a max. of 55°C.



fig. 5

### Room temperature adjustment (with optional room thermostat)

Using the room thermostat, set the temperature required in the rooms. If the room thermostat is not installed, the boiler will keep the system at the set system delivery setpoint temperature.

### Room temperature adjustment (with optional remote timer control)

Using the remote timer control, set the required temperature in the rooms. The boiler will adjust the system water according to the required room temperature. For operation with remote timer control, please refer to the relevant instruction manual.

### ECO/COMFORT selection

The unit has a function that ensures a high domestic hot water delivery speed and maximum comfort for the user. When the device is activated (COMFORT mode), the water contained in the boiler is kept hot, thereby ensuring immediate availability of hot water on opening the tap, without waiting times.

The user can deactivate the device (ECO mode) by pressing the **eco/comfort** button (detail 7 - fig. 1). In ECO mode the display activates the ECO symbol (detail 12 - fig. 1). To activate the COMFORT mode, press the **eco/comfort** button (detail 7 - fig. 1) again.

### Sliding Temperature

When the optional external probe is installed the boiler adjustment system works with "Sliding Temperature". In this mode, the heating system temperature is regulated according to weather conditions, to ensure the high comfort and energy efficiency throughout the year. In particular, as the outside temperature increases the system delivery temperature decreases according to a specific "compensation curve".

With the Sliding Temperature adjustment, the temperature set with the heating buttons (detail 3 - fig. 1) becomes the maximum system delivery temperature. It is advisable to set a maximum value to allow system adjustment throughout its useful operating range.

The boiler must be adjusted at the time of installation by qualified personnel. However, the user can make any further adjustments necessary to optimise comfort levels.

### Compensation curve and curve offset

Press the **reset** button (detail 6 - fig. 1) for 5 seconds to access the "Sliding temperature" menu; the display shows "CU" flashing.

Use the DHW buttons (detail 1 - fig. 1) to adjust the desired curve from 1 to 10 according to the characteristic (fig. 6). By setting the curve to 0, the sliding temperature adjustment is disabled.

Press the heating buttons (detail 3 - fig. 1) to access parallel curve offset; the display shows "OF" flashing. Use the DHW buttons (detail 1 - fig. 1) to adjust parallel curve offset according to the characteristic (fig. 7).

Press the **reset** button (detail 6 - fig. 1) again for 5 seconds to exit the "Sliding Temperature" menu.

If the room temperature is lower than the required value, it is advisable to set a higher order curve and vice versa. Proceed by increasing or decreasing in steps of one and check the result in the room.

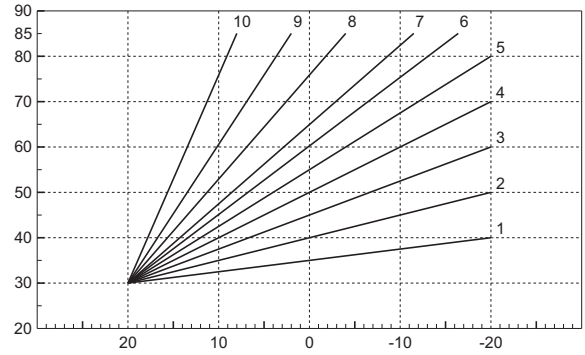


fig. 6 - Compensation curves

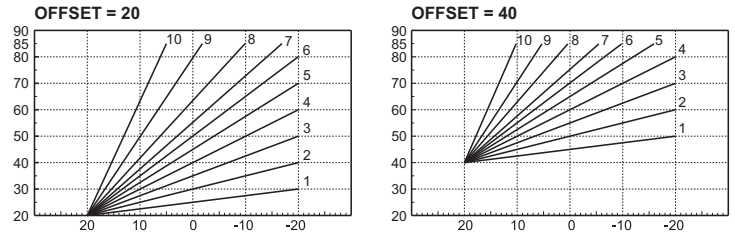


fig. 7 - Example of compensation parallel curve offset

### Adjustments from Remote Timer Control


 If the Remote Timer Control (optional) is connected to the boiler, the above adjustments are managed according to that given in table 1.

Table. 1

Heating temperature setting	Adjustment can be made from the Remote Timer Control menu and the boiler control panel.
DHW temperature adjustment	Adjustment can be made from the Remote Timer Control menu and the boiler control panel.
Summer/Winter Switchover	Summer mode has priority over a possible Remote Timer Control heating demand.
Eco/Comfort selection	On disabling DHW from the Remote Timer Control menu, the boiler selects the Economy mode. In this condition, the <b>eco/comfort</b> button (detail 7 - fig. 1) on the boiler panel is disabled.
	On enabling DHW from the Remote Timer Control menu, the boiler selects the Comfort mode. In this condition it is possible select one of the two modes with the <b>eco/comfort</b> button (detail 7 - fig. 1) on the boiler panel.
Sliding Temperature	Both the Remote Timer Control and the boiler card manage Sliding Temperature adjustment: the boiler card Sliding Temperature has priority.

### System water pressure adjustment

The filling pressure read on the boiler water gauge (detail 2 - fig. 8) with system cold must be approx 1.0 bar. If the system pressure falls below minimum values, the boiler stops and fault **F37** is displayed. Pull out the filling knob (detail 1 - fig. 8) and turn it anticlockwise to return it to the initial value. Always close it afterwards.

Once the system pressure is restored, the boiler will activate the 300-second air venting cycle indicated on the display by **Fh**.

To prevent boiler shutdown, it is advisable to periodically check the pressure on the gauge with system cold. In case of a pressure below 0.8 bar, it is advisable to restore it.

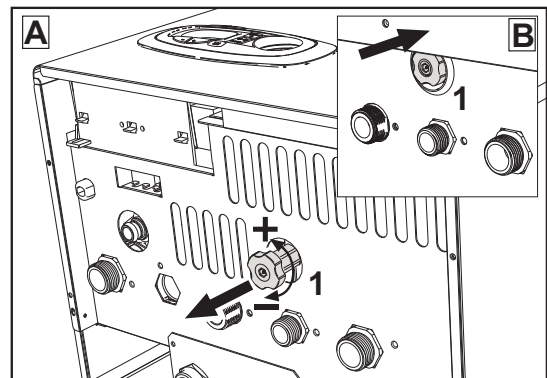


fig. 8 - Filling knob



### System draining

The drain faucet ring nut is located under the safety valve inside the boiler.

To drain the system, turn the ring (ref. 1 - fig. 9) counter-clockwise to open the faucet. Do not use any tools; use hands only.

To drain only the water in the boiler, first close the shut-off valves between the system and boiler before turning the ring.

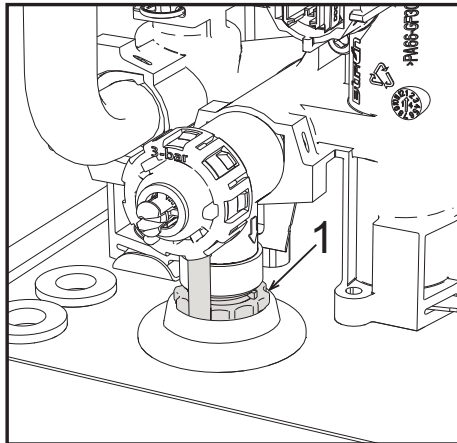


fig. 9- Safety valve with drain faucet

## 3. INSTALLATION

### 3.1 General Instructions

BOILER INSTALLATION MUST ONLY BE PERFORMED BY QUALIFIED PERSONNEL, IN ACCORDANCE WITH ALL THE INSTRUCTIONS GIVEN IN THIS TECHNICAL MANUAL, THE PROVISIONS OF CURRENT LAW, THE PRESCRIPTIONS OF NATIONAL AND LOCAL STANDARDS AND THE RULES OF PROPER WORKMANSHIP.

### 3.2 Place of installation

**!** The combustion circuit is sealed with respect to the place of installation and therefore the unit can be installed in any room except in a garage. The place of installation must be sufficiently ventilated to prevent the creation of dangerous conditions in case of even small gas leaks. Otherwise there may be a risk of suffocation and intoxication or explosion and fire. This safety precaution is required by EEC Directive No. 2009/142 for all gas units, including so-called sealed chamber units.

The unit is designed to operate in a partially protected place, with a minimum temperature of -5°C. If provided with the special antifreeze kit, it can be used with a minimum temperature down to -15°C. The boiler must be installed in a sheltered place, for instance under the slope of a roof, inside a balcony or in a protected recess.

The place of installation must be free of flammable materials, objects and dusts or corrosive gases.

The boiler is arranged for wall mounting and comes as standard with a hooking bracket. Wall fixing must ensure stable and effective support for the generator.

**!** If the unit is enclosed in a cabinet or mounted alongside, there must be sufficient space for removing the casing and for normal maintenance activities

### 3.3 Plumbing connections

#### Important

**!** The safety valve outlet must be connected to a funnel or collection pipe to prevent water spurting onto the floor in case of overpressure in the heating circuit. Otherwise, if the discharge valve cuts in and floods the room, the boiler manufacturer cannot be held liable.

**!** Before making the connection, check that the unit is arranged for operation with the type of fuel available and carefully clean all the system pipes.

Carry out the relevant connections according to the diagram in fig. 25 and the symbols on the unit.

**Note:** The unit is equipped with an internal bypass in the heating circuit.

#### Water system characteristics

In the presence of water harder than 25° Fr (1°F = 10ppm CaCO<sub>3</sub>), use suitably treated water in order to avoid possible scaling in the boiler.

#### Antifreeze system, antifreeze fluids, additives and inhibitors

When necessary, antifreeze fluids, additives and inhibitors can be used only if the manufacturer of such fluids or additives guarantees that they are suitable and do not cause damage to the exchanger or other components and/or materials of the boiler and system. Do not use generic antifreeze fluids, additives or inhibitors that are not specific for use in heating systems and compatible with the materials of the boiler and system.

### Connection to a storage tank for domestic hot water

The unit's electronic card is arranged for managing an external storage tank for domestic hot water production. Carry out the plumbing connections according to the diagram of fig. 10. Carry out the electrical connections as shown on the wiring diagram in fig. 30. It is necessary to use the kit code 1KWMA11W. At the next lighting, the boiler control system detects the hot water tank probe and automatically configures the DHW function, activating the display and relevant controls.

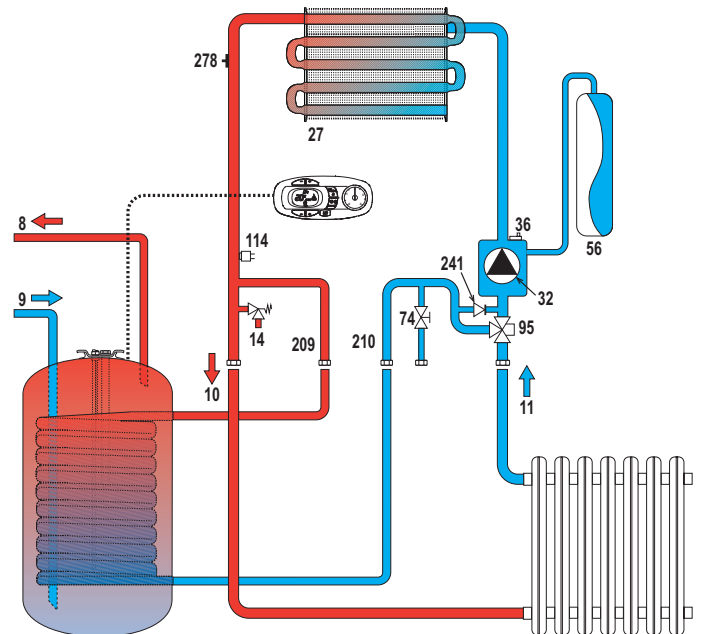


fig. 10- Diagram of connection to an external hot water tank

- 8 Domestic hot water outlet
- 9 Cold water inlet
- 10 System delivery - Ø 3/4"
- 11 System return - Ø 3/4"
- 95 Diverter valve
- 209 Hot water tank delivery - Ø 3/4"
- 210 Hot water tank return - Ø 3/4"

### 3.4 Gas connection

The gas must be connected to the relevant connection (see fig. 25) in conformity with the current standards, using a rigid metal pipe or a continuous surface flexible s/steel tube and installing a gas cock between the system and boiler. Make sure all the gas connections are tight.

### 3.5 Electrical connections

#### IMPORTANT

**!** BEFORE CARRYING OUT ANY OPERATION THAT REQUIRES REMOVING THE CASING, DISCONNECT THE BOILER FROM THE ELECTRIC MAINS WITH THE MAIN SWITCH.

**NEVER TOUCH THE ELECTRICAL COMPONENTS OR CONTACTS WITH THE MAIN SWITCH TURNED ON! DANGER OF ELECTRIC SHOCK WITH RISK OF INJURY OR DEATH!**

**!** The unit must be connected to an efficient grounding system in accordance with applicable safety regulations. Have the efficiency and suitability of the grounding system checked by professionally qualified personnel; the Manufacturer declines any liability for damage caused by failure to earth the system.

The boiler is prewired and provided with a three-pole cable, without a plug, for connection to the electric line. The connections to the grid must be made with a permanent connection and equipped with a bipolar switch whose contacts have a minimum opening of at least 3 mm, interposing fuses of max. 3A between the boiler and the line. Make sure to respect the polarities (LINE: brown wire / NEUTRAL: blue wire / GROUND: yellow-green wire) in the connections to the electric line.

**!** The unit's supply cable **MUST NOT BE REPLACED BY THE USER. If the cable gets damaged, turn the unit off and have the cable replaced only by professionally qualified personnel.** In case of replacement, only use cable "HAR H05 VV-F" 3x0.75 mm<sup>2</sup> with max. external diameter of 8 mm.

#### Room thermostat (optional)

**!** IMPORTANT: THE ROOM THERMOSTAT MUST HAVE VOLTAGE-FREE CONTACTS. CONNECTING 230 V TO THE ROOM THERMOSTAT TERMINALS WILL PERMANENTLY DAMAGE THE ELECTRONIC BOARD.

When connecting time controls or a timer, do not take the power supply for these devices from their breaking contacts. Their power supply must be by means of direct connection from the mains or with batteries, depending on the kind of device.



### Accessing the electrical terminal block

The electrical terminal block can be accessed after removing the casing. The layout of the terminals for the various connections is given in the wiring diagram in fig. 30.

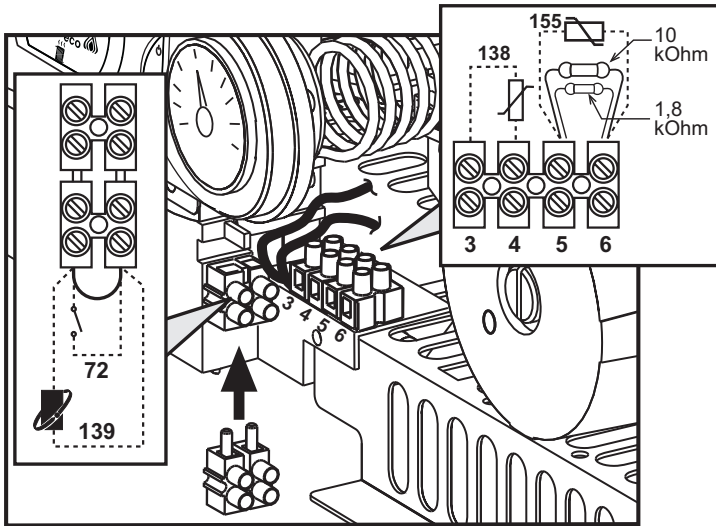


fig. 11 - Accessing the terminal block

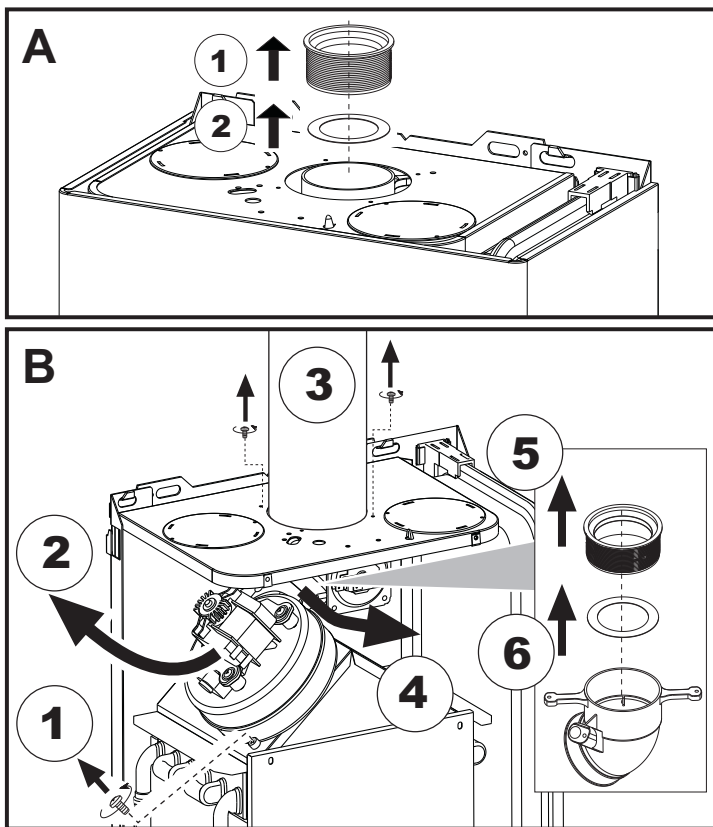
### 3.6 Fume ducts

#### Important

The unit is a "C type" with sealed chamber and forced draught, the air inlet and fume outlet must be connected to one of the following extraction/suction systems. The unit is approved for operation with all the Cny flue configurations given on the dataplate. Some configurations may be expressly limited or not permitted by law, standards or local regulations. Before installation, check and carefully follow the instructions. Also, comply with the instructions on the positioning of wall and/or roof terminals and the minimum distances from windows, walls, ventilation openings, etc.

#### Baffles

Boiler operation requires fitting the baffles supplied with the unit. Make sure boiler is properly fitted with the correct baffle (if to be used).



A Baffle replacement with boiler not installed  
 B Baffle replacement with boiler and fume ducts already installed

### Connection with coaxial pipes

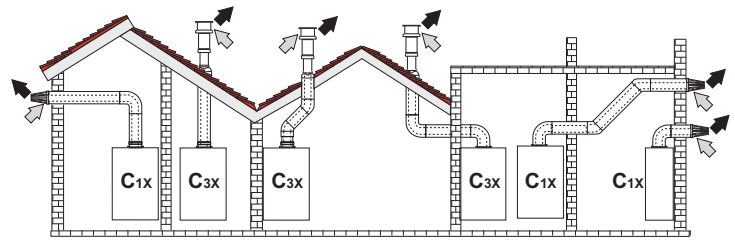


fig. 12 - Examples of connection with coaxial pipes (⇨ = Air / ⇨ = Fumes)

Table. 2 - Typology

Type	Description
C1X	Wall horizontal exhaust and inlet
C3X	Roof vertical exhaust and inlet

For coaxial connection, fit the unit with one of the following starting accessories. For the wall hole dimensions, refer to the figure on the cover.

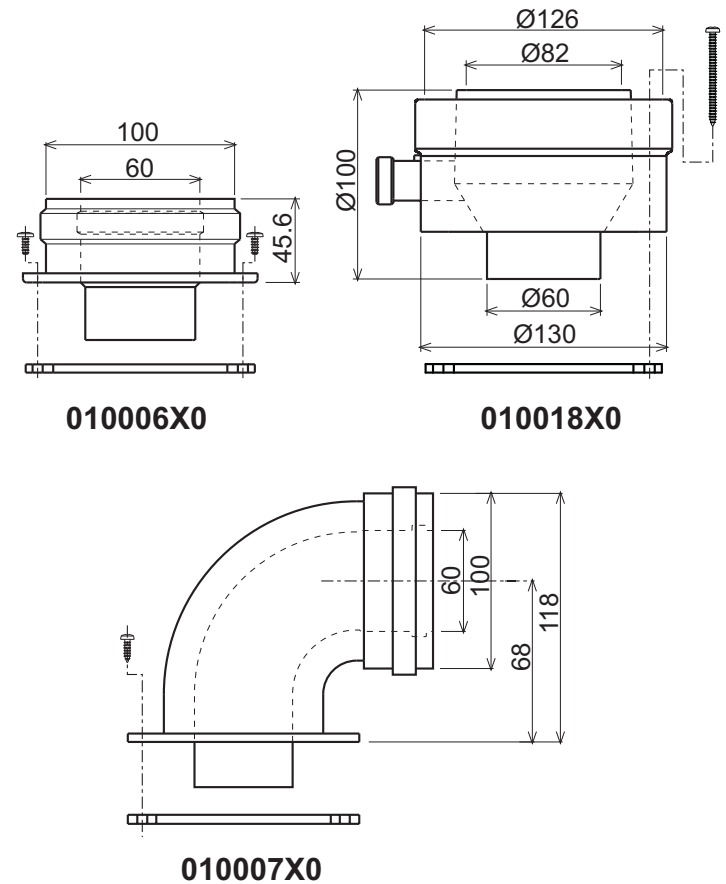


fig. 13 - Starting accessory for coaxial ducts

Table. 3 - Baffles for coaxial ducts

	Coaxial 60/100		Coaxial 80/125	
	FL D HF24 = 5 m	FL D HF32 = 5 m	FL D HF24 = Ø43	FL D HF32 = Ø45
Max. permissible length	10 m		10 m	
Reduction factor 90° bend	1 m		0.5 m	
Reduction factor 45° bend	0.5 m		0.25 m	
Baffle to use	0 ÷ 2 m	FL D HF24 = Ø43 FL D HF32 = Ø45	0 ÷ 3 m	FL D HF24 = Ø43 FL D HF32 = Ø45
	2 ÷ 5 m	no baffle	3 ÷ 10 m	no baffle

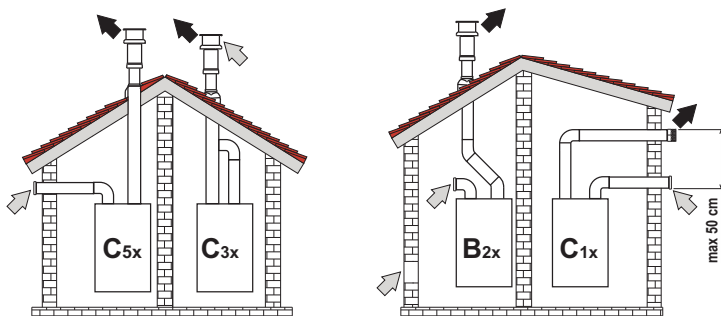
**Connection with separate pipes**


fig. 14 - Examples of connection with separate pipes (⇨ = Air / ⇨ = Fumes)

**Table 4 - Typology**

Type	Description
C1X	Wall horizontal exhaust and intake. The inlet/outlet terminals must be concentric or close enough to be undergo similar wind conditions (within 50 cm)
C3X	Roof vertical exhaust and intake. Inlet/outlet terminals like for C12
C5X	Wall or roof exhaust and intake separate or in any case in areas with different pressures. The exhaust and intake must not be positioned on opposite walls.
C6X	Intake and exhaust with separately certified pipes (EN 1856/1)
B2X	Intake from installation room and wall or roof exhaust ⚠ IMPORTANT - THE ROOM MUST BE PROVIDED WITH APPROPRIATE VENTILATION

For the connection of separate ducts, fit the unit with the following starting accessory:

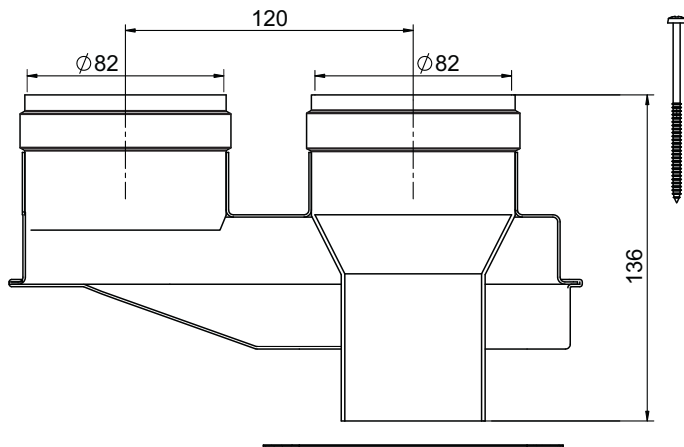


fig. 15 - Starting accessory for separate ducts code 010031X0


Before installation, check the baffle to use and that the maximum permissible length is not exceeded, by means of a simple calculation:

1. Establish the layout of the system of split flues, including accessories and outlet terminals.
2. Consult table 6 and identify the losses in  $m_{eq}$  (equivalent meters) of every component, according to the installation position.
3. Check that the sum total of losses is less than or equal to the maximum permissible length in table 5.

**Table 5 - Baffles for separate ducts**

Max. permissible length	FL D HF24		FL D HF32	
	60 $m_{eq}$		48 $m_{eq}$	
Baffle to use	0 - 20 $m_{eq}$	Ø 43	0 - 15 $m_{eq}$	Ø 45
	20 - 45 $m_{eq}$	Ø 47	15 - 35 $m_{eq}$	Ø 50
	45 - 60 $m_{eq}$	No baffle	35 - 48 $m_{eq}$	No baffle

**Table 6 - Accessories**

			Losses in $m_{eq}$			
			Air inlet	Fume exhaust		
			Vertical	Horizontal		
Ø 80	PIPE	0.5 m M/F	1KWMA38A	0.5	0.5	1.0
		1 m M/F	1KWMA83A	1.0	1.0	2.0
		2 m M/F	1KWMA06K	2.0	2.0	4.0
	BEND	45° F/F	1KWMA01K	1.9	-	2.9
		45° M/F	1KWMA65A	1.9	-	2.9
		90° F/F	1KWMA02K	2.0	-	3.0
		90° M/F	1KWMA82A	1.5	-	2.5
		90° M/F + Test point	1KWMA70U	1.5	-	2.5
	PIPE SECTION	with test point	1KWMA16U	0.2	-	0.2
		for condensate drain	1KWMA55U	-	-	3.0
	TEE	for condensate drain	1KWMA05K	-	-	7.0
		air, wall	1KWMA85A	2.0	-	-
	TERMINAL	fumes, wall with antiwind	1KWMA86A	-	-	5.0
		FLUE	Split air/fumes 80/80	1KWMA84U	-	-
Fume outlet only Ø80	1KWMA86U + 1KWMA86U		-	-	4.0	
Ø 100	REDUCTION	from Ø80 to Ø100	1KWMA03U	0.0	-	0.0
		from Ø100 to Ø80	-	1.5	-	3.0
	PIPE	1 m M/F	1KWMA08K	0.4	0.4	0.8
		45° M/F	1KWMA03K	0.6	-	1.0
BEND	90° M/F	1KWMA04K	0.8	-	1.3	
	TERMINAL	air, wall	1KWMA14K	1.5	-	-
fumes, wall with antiwind		1KWMA29K	-	-	3.0	
Ø 60	PIPE	1 m M/F	010028X0	-	2.0	6.0
		BEND 90° M/F	010029X0	-	-	6.0
	REDUCTION	80 - 60	010030X0	-	-	8.0
		TERMINAL fumes, wall	1KWMA90A	-	-	7.0
		 <b>ATTENTION: CONSIDER THE HIGH PRESSURE LOSSES OF Ø60 ACCESSORIES; USE THEM ONLY IF NECESSARY AND AT THE LAST FUME EXHAUST SECTION.</b>				

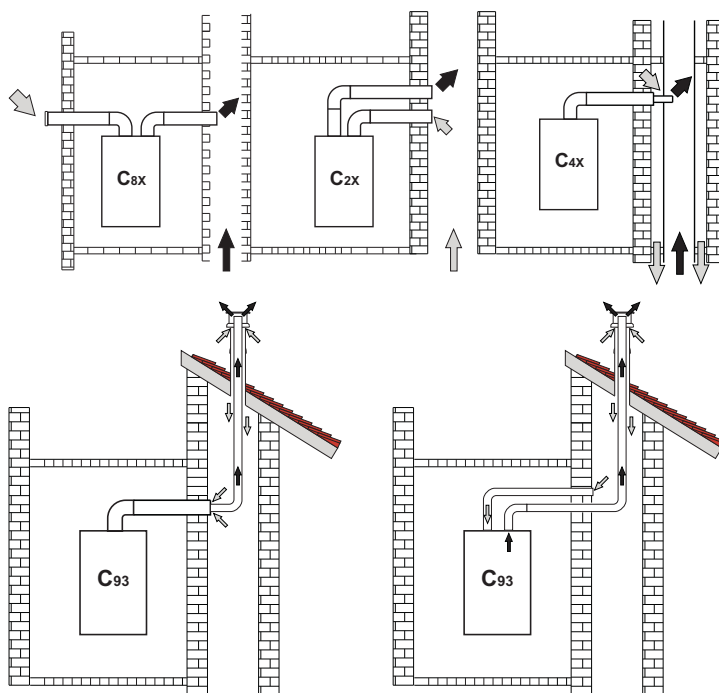
**Connection to collective flues**


fig. 16 - Examples of connection to collective flues (⇨ = Air / ⇨ = Fumes)

**Table 7 - Typology**

Type	Description
C2X	Intake and exhaust in common flue (intake and exhaust in same flue)
C4X	Intake and exhaust in common and separate flues, but undergoing similar wind conditions
C8X	Exhaust in single or common flue and wall intake
B3X	Intake from installation room by means of concentric duct (that encloses the exhaust) and exhaust in common flue with natural draught ⚠ IMPORTANT - THE ROOM MUST BE PROVIDED WITH APPROPRIATE VENTILATION
C93	Exhaust to a vertical terminal and intake from existing flue.

If the boiler is to be connected FL D HF to a collective flue or to a single flue with natural draught, the flue or chimney must be expressly designed by professionally qualified technical personnel in conformity with the current regulations and be suitable for sealed chamber units equipped with fan.

## 4. SERVICE AND MAINTENANCE

### Important



All adjustment, conversion, commissioning and maintenance operations described below must only be carried out by Qualified Personnel (meeting the professional technical requirements of current regulations) such as the personnel of the Local After-Sales Technical Service.

LAMBORGHINI declines any liability for damage and/or injury caused by unqualified and unauthorized persons tampering with the unit.

### 4.1 Adjustments

#### Gas conversion



**ALL COMPONENTS DAMAGED DURING CONVERSION OPERATIONS MUST BE REPLACED.**

The unit can operate on natural gas or LPG and is factory-set for use with one of these two gases, as clearly shown on the packing and on the data plate. Whenever a gas different from that for which the unit is arranged has to be used, the special conversion kit will be required, proceeding as follows:

1. Disconnect the boiler power supply and close the gas cock.
2. Replace the nozzles at the main burner, fitting the nozzles specified in the technical data table in cap. 5, according to the type of gas used
3. Switch the boiler power on and open the gas cock.
4. Modify the parameter for the type of gas:
  - put the boiler in standby mode
  - press the DHW buttons details 1 and 2 - fig. 1 for 10 seconds: the display shows "b01" flashing.
  - press the DHW buttons details 1 and 2 - fig. 1 to set the parameter 00 (for natural gas operation) or 01 (for LPG operation).
  - press the DHW buttons details 1 and 2 - fig. 1 for 10 seconds.
  - the boiler will return to standby mode
5. Adjust the minimum and maximum pressures at the burner (ref. relevant paragraph), setting the values given in the technical data table for the type of gas used
6. Apply the sticker contained in the conversion kit, near the data plate as proof of the conversion.

#### Activation of Auto-setting function for gas valve calibration

**THIS PROCEDURE MUST ONLY BE CARRIED OUT IN THE FOLLOWING CASES: GAS VALVE REPLACEMENT, CARD REPLACEMENT, CONVERSION FOR GAS CHANGE.**

The B&P Gas Valve (with integrated modulating operator) does not provide for mechanical calibration: the minimum and maximum power adjustments are therefore electronically done via two parameters:

Contents	Description	Natural Gas	Propane Gas
q01	Absolute minimum current offset	0+100	0+150
q02	Absolute maximum current offset	0+100	0-150

#### Gas valve pre-calibration

1. Connect a pressure gauge to monitor the gas valve outlet pressure.
2. Enable the **Auto-setting** function (Parameter b12=1).
3. Activate the calibration procedure by pressing the heating + button and Eco/Comfort button together for 5 seconds. The message "Au-to" immediately appears (in two successive flashes) and the burner is lit. Within 8 seconds (natural gas and LPG) the boiler finds the ignition point. The ignition point, absolute minimum current Offset (Parameter q01) and absolute maximum current Offset (Parameter q02) values are stored by the card.

#### Gas valve calibration

1. The display will show "q02" flashing; the modulation current is forced to the pre-calibration value of the absolute maximum current Offset parameter (Parameter q02).
2. Press the DHW buttons to adjust the parameter "q02" until the maximum nominal pressure minus 1mbar is reached on the pressure gauge. Wait 10 seconds for the pressure to stabilise.
3. Press the DHW "+" button to set the parameter "q02" until the maximum nominal pressure is reached on the pressure gauge. Wait 10 seconds for the pressure to stabilise.
4. If the pressure read on the pressure gauge is different from the maximum nominal pressure, proceed in increments of 1 or 2 units of the parameter "q02" by pressing the DHW "+" button: after each change, wait 10 seconds for the pressure to stabilise.
5. When the pressure read on the pressure gauge is equal to the maximum nominal pressure (the newly calibrated value of the parameter "q02" is automatically saved), press the heating "-" button: the display will show "q01" flashing; the modulation current is forced to the pre-calibration value of the absolute minimum current Offset parameter (Parameter q01).
6. Press the DHW buttons to adjust the parameter "q01" until the minimum nominal pressure plus 0.5mbar is reached on the pressure gauge. Wait 10 seconds for the pressure to stabilise.
7. Press the DHW "-" button to adjust the parameter "q01" until the minimum nominal pressure is reached on the pressure gauge. Wait 10 seconds for the pressure to stabilise.
8. If the pressure read on the pressure gauge is different from the minimum nominal pressure, proceed in decrements of 1 or 2 units of the parameter "q01" by pressing the DHW "-" button: after each change, wait 10 seconds for the pressure to stabilise.

9. When the pressure read on the pressure gauge is equal to the minimum nominal pressure (the newly calibrated value of the parameter "q01" is automatically saved.), recheck both adjustments by pressing the heating buttons and correct them if necessary by repeating the procedure described above.
10. The calibration procedure ends automatically after 15 minutes or by pressing the heating "+" and Eco/Comfort buttons together for 5 seconds.

#### Checking of gas pressure values and adjustment with limited range

- Check that the supply pressure complies with that indicated in the technical data table.
- Connect a suitable pressure gauge to the pressure sampling point "B" located downstream from the gas valve.
- Activate the **TEST** mode and follow the instructions for checking the gas pressures at maximum power and minimum power (see next par.).

If the maximum and/or minimum nominal pressures read on the pressure gauge are different from those indicated in the technical data table, proceed with the next sequence.

- Press the Eco/Comfort button for 2 seconds to go to the gas valve Calibration with limited range mode.
- The card goes to the setting "q02"; displaying the currently saved value by pressing the DHW buttons.
- If the **maximum pressure** read on the pressure gauge is different from the nominal one, proceed in increments/decrements of 1 or 2 units of the parameter "q02" by pressing the DHW buttons: after each change, the value is stored; wait 10 seconds for the pressure to stabilise.
- Press the heating "-" button (ref. 3 - fig. 1).
- The card goes to the setting "q01"; displaying the currently saved value by pressing the DHW buttons.
- If the **minimum pressure** read on the pressure gauge is different from the nominal one, proceed in increments/decrements of 1 or 2 units of the parameter "q01" by pressing the DHW buttons: after each change, the value is stored; wait 10 seconds for the pressure to stabilise.
- Recheck both settings by pressing the heating buttons and if necessary correct them by repeating the procedure described above.
- Pressing the Eco/Comfort button for 2 seconds returns to TEST mode.
- Deactivate **TEST** mode (see next par.).
- Disconnect the pressure gauge.

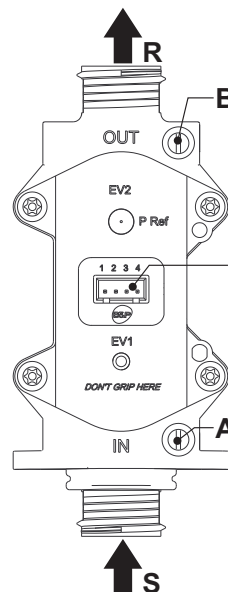


fig. 17 - Gas valve

A - Upstream pressure point  
 B - Downstream pressure point  
 I - Gas valve electrical connection  
 R - Gas outlet  
 S - Gas inlet

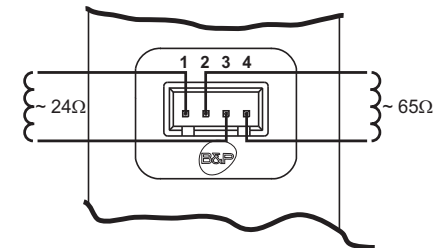


fig. 18 - Gas valve connection

TYPE SGV100  
 Pi max 65 mbar  
 24 Vdc - class B+A

#### TEST mode activation

Press the heating buttons (details 3 and 4 - fig. 1) together for 5 seconds to activate the **TEST** mode. The boiler lights at the maximum heating power set as described in the following section.

The heating and DHW symbols (fig. 19) flash on the display; the heating power will appear alongside.

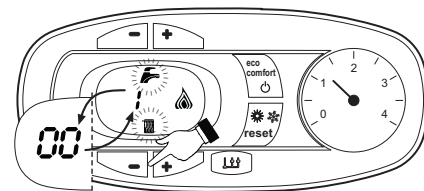


fig. 19 - TEST mode (heating power = 100%)

Press the heating buttons (details 3 and 4 - fig. 1) to increase or decrease the power (Min.=0%, Max.=100%).

By pressing the DHW "-" button (detail 1 - fig. 1), boiler output is immediately adjusted to min. (0%). By pressing the DHW "+" button (detail 2 - fig. 1), boiler output is immediately adjusted to max. (100%).

If the TEST mode is activated and enough hot water is drawn to activate the DHW mode, the boiler remains in TEST mode but the 3-way valve goes to DHW.

To deactivate the TEST mode, press the heating buttons (details 3 and 4 - fig. 1) together for 5 seconds.

The TEST mode is automatically deactivated in any case after 15 minutes or on stopping of hot water drawing (if enough hot water has been drawn to activate the DHW mode).

#### Heating power adjustment

To adjust the heating power, switch the boiler to TEST mode (see sec. 4.1). Press the heating buttons detail 3 - fig. 1 to increase or decrease the power (min. = 00 - max. = 100). Press the **reset** button within 5 seconds and the max. power will remain that just set. Exit TEST mode (see sec. 4.1).

#### Configuration Menu

The configuration Menu is accessed by pressing the DHW buttons together for 10 seconds. **12 parameters**, indicated by the letter "b" and not modifiable from Remote Timer Control, are available.

Press the Heating buttons to scroll the list of parameters in increasing or decreasing order. Press the DHW buttons to view or modify the value of a parameter: the change will be automatically saved.

Contents	Description	Range	Parameter	
b01	Gas type selection	0=Natural Gas	0	
		1=LPG		
b02	Boiler type selection	1=Bithermal instantaneous	3	
		2=Monothermal instantaneous		
		3=Heating only (3-way valve)		
		4=Heating only (circulating pump)		
b03	Combustion chamber type selection	0=Sealed Chamber combustion control (without fume pressure switch)	0	
		1=Open Chamber (with fume thermostat)		
		2=Sealed Chamber (with fume pressure switch)		
		3=Sealed Chamber Combustion control (with fume thermostat on recuperator)		
		4=LOW NOx Sealed Chamber Combustion control (without fume pressure switch)		
5=LOW NOx Open Chamber (with fume thermostat)				
b04	Primary Exchanger type selection	0 + 13	4 (for model HF24) 5 (for model HF32)	
b05	Variable output relay operation selection (b02=1)	0 = External gas valve	NOT AVAILABLE FOR THIS MODEL	
		1 = System filling solenoid valve		
		2 = Solar 3-way valve		
		3 = Supply indicator with fault present		
		4 = Supply indicator without fault present		
		5 = External circulating pump (during demand and post circulation)		
b05	No effect on adjustment (b02=2)	--	0	
		--		
		--		
b06	Mains Voltage Frequency	0=50Hz	0	
		1=60Hz		
b07	Comfort burner on time (b02=1)	0-20 seconds	5	
		No effect on adjustment (b02=2)		--
		No effect on adjustment (b02=3)		--
		No effect on adjustment (b02=4)		--
b08	Gas valve driver	0 = Standard, 1	0	
b09	DHW demand type selection	0 = Flow switch	1	
		1 = Flowmeter (190 imp/l)		
		2 = Flowmeter (450 imp/l)		
		3 = Flowmeter (700 imp/l)		
b10	Flowmeter timing (b02=1)	0 = Deactivated	0	
		1 + 10=seconds		
	Flowmeter timing (b02=2)	0=Deactivated		
		1-10=seconds		
b10	No effect on adjustment (b02=3)	--	0	
		--		

Contents	Description	Range	Parameter
b11	DHW mode activation flow rate (b02=1)	10 + 100 L/min/10	15
	DHW mode activation flow rate (b02=2)	10 + 100 L/min/10	
	No effect on adjustment (b02=3)	--	
	No effect on adjustment (b02=4)	--	
b12	Enable Auto-Settings procedure	0 = Disabled 1 = Enabled	0

#### Notes:

- Parameters with more than one description vary their function and/or range in relation to the setting of the parameter given in brackets.
- Parameters with more than one description are reset to the default value if the parameter given in brackets is modified.

To exit the configuration Menu press the DHW buttons together for 10 seconds, or exiting occurs automatically after 2 minutes.

#### Service menu

The card Service Menu is accessed by pressing the Reset button for 20 seconds. 4 sub-menus are available: press the Heating buttons to select, in increasing or decreasing order, "tS", "In", "Hi" or "rE". "tS" means Transparent Parameters Menu, "In" means Information Menu, "Hi" means History Menu: after selecting the submenu, press the Reset button again to access it; "rE" means History Menu Reset: see description.

#### "tS" - Transparent Parameters Menu

21 parameters, indicated by the letter "P" are available, which are also modifiable from Remote Timer Control.

Press the Heating buttons to scroll the list of parameters in increasing or decreasing order. Press the DHW buttons to view or modify the value of a parameter: the change will be automatically saved.

Contents	Description	Range	FL D HF	
P01	Ignition ramp Offset	0-40	20	
P02	Heating ramp	1-20°C/minute	5	
P03	Heating standby time	0-10 minutes	2	
P04	Heating Post-Circulation	0-20 minutes	6	
P05	Heating user max. setpoint	31-85°C	80	
P06	Max. output in heating	0-100%	100	
P07	Burner shutdown in DHW (b02=1)	0=Fixed	0	
		1=Linked to setpoint		
		2=Solar		
		3 = DO NOT USE		
P07	Burner shutdown in DHW (b02=2)	0=Fixed	0	
		1=Linked to setpoint		
		2=Solar		
		3 = DO NOT USE		
P07	Hot water tank hysteresis (b02=3)	0 (do not use) 1-2-3-4°C	0	
		0 (do not use) 1-2-3-4°C		
P08	DHW standby time (b02=1)	0-60 seconds	30	
		DHW standby time (b02=2)		
		DHW standby time (b02=3)		
		DHW standby time (b02=4)		
P09	DHW user max. setpoint (b02=1)	50-65°C	50	
		DHW user max. setpoint (b02=2)		
		DHW user max. setpoint (b02=3)		
		DHW user max. setpoint (b02=4)		
P10	Anti-inertia function temperature (b02=1)	5-85°C	0	
		No effect on adjustment (b02=2)		--
		Delivery temperature in DHW (b02=3)		70-85°C
P10	Delivery temperature in DHW (b02=4)	70-85°C	0	
		Anti-inertia function Post-Circulation (b02=1)		0-10 Seconds
		DHW Post-Circulation (b02=2)		0-60 Seconds
P11	DHW Post-Circulation (b02=3)	0-60 Seconds	30	
		DHW Post-Circulation (b02=4)		0-60 Seconds
P12	Max. output in DHW	0-100%	100	
P13	Absolute min. power	0-100%	0	
		0-100%		
P14	Post-Ventilation	0=Default	0	
		1=50 seconds		



Contents	Description	Range	FL D HF
P15	CO2 limit Offset (b03=0)	0 (Minimum) 30 (Maximum)	20
	No effect on adjustment (b03=1)	--	
	No effect on adjustment (b03=2)	--	
	CO2 limit Offset (b03=3)	0 (Minimum) 30 (Maximum)	
	CO2 limit Offset (b03=4)	0 (Minimum) 30 (Maximum)	
	No effect on adjustment (b03=5)	--	
P16	Exchanger protection activation	0=No F43 1-15=1-15°C/second	10
P17	Modulating pump max. speed - absolute	Operating at 100%. Adjustable with optional cable.	100
P18	Modulating pump max. speed - post circulation	0-100% not operating. Always at 100% in this model	60
P19	Solar deactivation temperature (b02=1)	0+20°C	10
	Solar deactivation temperature (b02=2)	0+20°C	
	No effect on adjustment (b02=3)	--	
	No effect on adjustment (b02=4)	--	
P20	Solar ignition temperature (b02=1)	0+20°C	10
	Solar ignition temperature (b02=2)	0+20°C	
	No effect on adjustment (b02=3)	--	
	No effect on adjustment (b02=4)	--	
P21	Solar standby time (b02=1)	0-20 seconds	10
	Solar standby time (b02=2)	0-20 seconds	
	No effect on adjustment (b02=3)	--	
	No effect on adjustment (b02=4)	--	

#### Notes:

- Parameters with more than one description vary their function and/or range in relation to the setting of the parameter given in brackets.
- Parameters with more than one description are reset to the default value if the parameter given in brackets is modified.
- The Maximum Heating Power parameter can also be modified in Test Mode.

Press the Reset button to return to the Service Menu. Press the Reset button for 20 seconds to exit the card Service Menu, or exiting occurs automatically after 15 minutes.

#### "In" - Information Menu

9 pieces of information are available.

Press the Heating buttons to scroll the list of information in increasing or decreasing order. Press the DHW buttons to display the value.

Contents	Description	Range
t01	NTC Heating sensor (°C)	between 05 and 125°C
t02	NTC Safety sensor (°C)	between 05 and 125°C
t03	NTC DHW sensor (°C)	between 05 and 125°C
t04	NTC External sensor (°C)	between -30 and 70°C (negative values flash) Without NTC = --
L05	Actual burner power (%)	00%=Min., 100%=Max.
F06	Actual Flame resistance (kOhm)	00-99 kOhm (-- = burner off)
St07	Fan step (Number)	0=Off, 1=Min, 2=Med, 3=Max
F08	Actual DHW drawing (L min/10)	L min/10 over 99 flashing 3 figures
PP09	Actual modulating pump speed (%)	00-100% not working in this model

#### Notes:

- In case of damaged sensor, the card displays hyphens.

Press the Reset button to return to the Service Menu. Press the Reset button for 20 seconds to exit the card Service Menu or exiting occurs automatically after 15 minutes.

#### "Hi" - History Menu

The card can store the last 11 faults: the History datum item H1: represents the most recent fault that occurred; the History datum item H10: represents the least recent fault that occurred.

The codes of the faults saved are also displayed in the corresponding menu of the Remote Timer Control.

Press the Heating buttons to scroll the list of faults in increasing or decreasing order. Press the DHW buttons to display the value.

Press the Reset button to return to the Service Menu. Press the Reset button for 20 seconds to exit the card Service Menu, or exiting occurs automatically after 15 minutes.

#### "rE" - History Reset

Press the Eco/Comfort button for 3 seconds to delete all the faults stored in the History Menu: the card will automatically exit the Service Menu, in order to confirm the operation.

Press the Reset button for 20 seconds to exit the card Service Menu, or exiting occurs automatically after 15 minutes.

## 4.2 Commissioning

### Before lighting the boiler

- Check the seal of the gas system.
- Check correct prefilling of the expansion tank.
- Fill the water system and make sure all air contained in the boiler and the system has been vented.
- Make sure there are no water leaks in the system, DHW circuits, connections or boiler.
- Check correct connection of the electrical system and efficiency of the earthing system.
- Make sure the gas pressure for heating is that required.
- Make sure there are no flammable liquids or materials in the immediate vicinity of the boiler



**IF THE ABOVE INSTRUCTIONS ARE NOT OBSERVED THERE MAY BE RISK OF SUFFOCATION OR POISONING DUE TO GAS OR FUMES ESCAPING; DANGER OF FIRE OR EXPLOSION. ALSO, THERE MAY BE A RISK OF ELECTRIC SHOCK OR FLOODING THE ROOM.**

### Checks during operation

- Switch the unit on.
- Check the tightness of the fuel circuit and water systems.
- Check the efficiency of the flue and air/fume ducts while the boiler is working.
- Make sure the water is circulating properly between the boiler and the systems.
- Make sure the gas valve modulates correctly in the heating and domestic hot water production stages.
- Check correct boiler lighting by performing various tests, turning it on and off with the room thermostat or remote control.
- Make sure the fuel consumption indicated on the meter matches that given in the technical data table in cap. 5.
- Make sure that with no demand for heating, the burner lights correctly on opening a hot water tap. Check that in heating mode, on opening a hot water tap, the heating circulating pump stops and there is regular production of hot water.
- Make sure the parameters are programmed correctly and carry out any required customisation (compensation curve, power, temperatures, etc.).

## 4.3 Maintenance

### IMPORTANT



**ALL MAINTENANCE WORK AND REPLACEMENTS MUST BE CARRIED OUT BY SKILLED QUALIFIED PERSONNEL.**

**Before carrying out any operation inside the boiler, disconnect the power and close the gas cock upstream. Otherwise there may be a danger of explosion, electric shock, suffocation or poisoning.**

### Periodical inspection

To ensure proper operation of the unit over time, have qualified personnel carry out a yearly inspection, providing for the following checks:

- The control and safety devices (gas valve, flow switch, thermostats, etc.) must function correctly.
- The fume exhaust circuit must be perfectly efficient. (Sealed chamber boiler: fan, pressure switch, etc. - The sealed chamber must be tight: seals, cable glands, etc.) (Open chamber boiler: anti-backflow device, fume thermostat, etc.)
- The air/fume terminal and ducts must be free of obstructions and leaks
- The burner and exchanger must be clean and free of deposits. Do not use chemical products or wire brushes to clean.
- The electrode must be properly positioned and free of deposits.

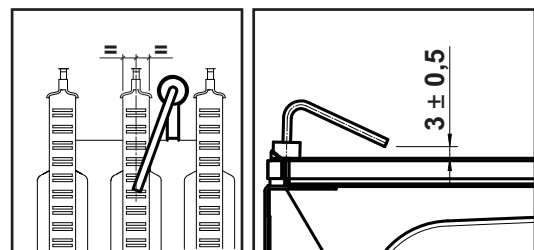


fig. 20 - Electrode positioning

- The gas and water systems must be tight.
- The pressure of the water in the system when cold must be approx. 1 bar; otherwise, bring it to that value.
- The circulating pump must not be blocked.
- The expansion tank must be filled.
- The gas flow and pressure must match that given in the respective tables.

#### 4.4 Troubleshooting

##### Diagnostics

The boiler has an advanced self-diagnosis system. In case of a boiler fault, the display will flash together with the fault symbol (detail 11 - fig. 1) indicating the fault code.

There are faults that cause permanent shutdowns (marked with the letter "A"): to restore operation, press the RESET button (detail 6 - fig. 1) for 1 second or RESET on the optional remote timer control if installed. At this point the display will show "d4" for about 30 seconds or "d5" for about 5 minutes which indicates the waiting time after which the boiler will resume normal operation. If the boiler fails to restart, it is necessary to eliminate the fault.

Other faults cause temporary shutdowns (marked with the letter "F") which are automatically reset as soon as the value returns within the boiler's normal working range.

##### List of faults

Table. 8

Code fault	Fault	Possible cause	Cure
A01	No burner ignition	No gas	Check the regular gas flow to the boiler and that the air has been eliminated from the pipes
		Ignition/detection electrode fault	Check the wiring of the electrode and that it is correctly positioned and free of any deposits
		Faulty gas valve	Check the gas valve and replace it if necessary
		Gas valve wiring disconnected	Check the wiring
		Ignition power too low	Adjust the ignition power
A02	Flame present signal with burner off	Electrode fault	Check the ionisation electrode wiring
		Card fault	Check the card
A03	Overtemperature protection activation	Heating sensor damaged	Check the correct positioning and operation of the heating sensor
		No water circulation in the system	Check the circulating pump
		Air in the system	Vent the system
F04	Card parameter fault	Wrong card parameter setting	Check the card parameter and modify it if necessary
F05	Card parameter fault	Wrong card parameter setting	Check the card parameter and modify it if necessary
	Fan fault	Wiring disconnected	Check the wiring
		Defective fan	Check the fan
		Card fault	Check the card
A06	No flame after the ignition phase	Low pressure in the gas system	Check the gas pressure
		Burner minimum pressure setting	Check the pressures
F07	Card parameter fault	Wrong card parameter setting	Check the card parameter and modify it if necessary
A09	Gas valve fault	Wiring disconnected	Check the wiring
		Faulty gas valve	Check the gas valve and replace it if necessary
F10	Delivery sensor 1 fault	Sensor damaged	Check the wiring or replace the sensor
		Wiring shorted	
		Wiring disconnected	
F11	DHW sensor fault	Sensor damaged	Check the wiring or replace the sensor
		Wiring shorted	
		Wiring disconnected	
F14	Delivery sensor 2 fault	Sensor damaged	Check the wiring or replace the sensor
		Wiring shorted	
		Wiring disconnected	
A16	Gas valve fault	Wiring disconnected	Check the wiring
		Faulty gas valve	Check the gas valve and replace it if necessary
F20	Combustion control fault	Fan fault	Check the fan and fan wiring
		Faulty baffle	Check the baffle and replace it if necessary
		Flue not correctly sized or obstructed	Check the flue
A21	Poor combustion fault	Fault F20 generated 6 times in the last 10 minutes	See fault F20
A23	Card parameter fault	Wrong card parameter setting	Check the card parameter and modify it if necessary
A24	Card parameter fault	Wrong card parameter setting	Check the card parameter and modify it if necessary
F34	Supply voltage under 180V.	Electric mains trouble	Check the electrical system
F35	Faulty mains frequency	Electric mains trouble	Check the electrical system

Code fault	Fault	Possible cause	Cure
F37	Incorrect system water pressure	Pressure too low	Fill the system
		Water pressure switch damaged or not connected	Check the sensor
F39	External probe fault	Probe damaged or wiring shorted	Check the wiring or replace the sensor
		Probe disconnected after activating the sliding temperature	Reconnect the external sensor or disable the sliding temperature
A41	Sensor positioning	Delivery sensor or DHW sensor detached from the pipe	Check the correct positioning and operation of the sensors
F42	Heating sensor fault	Sensor damaged	Replace the sensor
F43	Exchanger protection trips.	No H <sub>2</sub> O system circulation	Check the circulating pump
		Air in the system	Vent the system
F50	Gas valve fault	Modulating Operator wiring disconnected	Check the wiring
		Faulty gas valve	Check the gas valve and replace it if necessary
A51	Poor combustion fault	Inlet/exhaust flue obstruction	Check the flue

#### 5. TECHNICAL DATA AND CHARACTERISTICS

Table. 9- Legend, fig. 27, fig. 28 and fig. 29

5 Sealed chamber	44 Gas valve
10 System delivery - Ø 3/4"	56 Expansion vessel
11 System return - Ø 3/4"	74 System filling faucet
14 Safety valve	81 Ignition and detection electrode
16 Fan	95 Diverter valve
19 Combustion chamber	114 Water pressure switch
22 Burner	187 Fume baffle
27 Copper exchanger for heating and DHW	209 Hot water tank delivery
28 Fume manifold	210 Hot water tank return
29 Fume outlet collar	241 Automatic bypass
32 Heating circulating pump	278 Double sensor (Safety + heating)
36 Automatic air vent	



5.1 Размеры и соединения

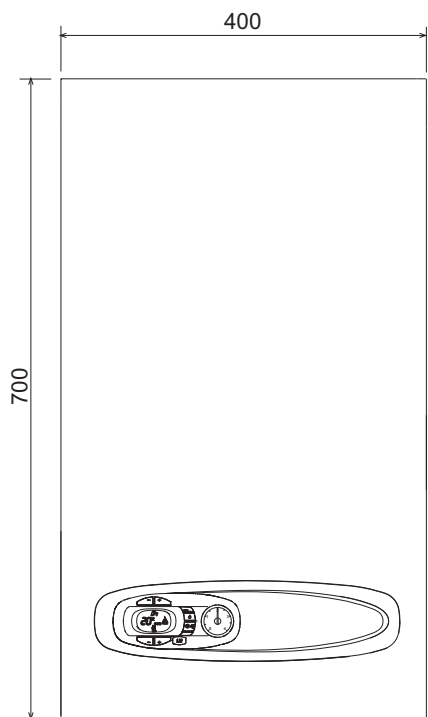


рис. 21- Вид спереди

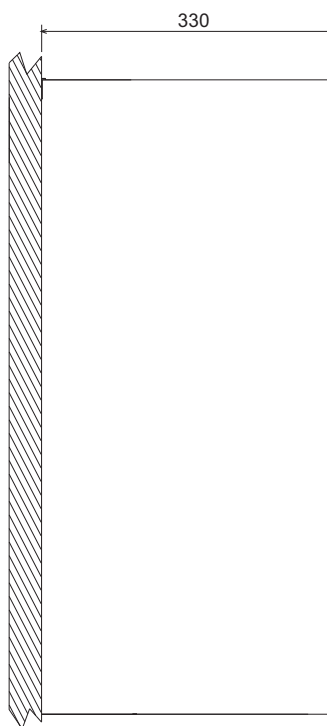


рис. 22- Вид сбоку

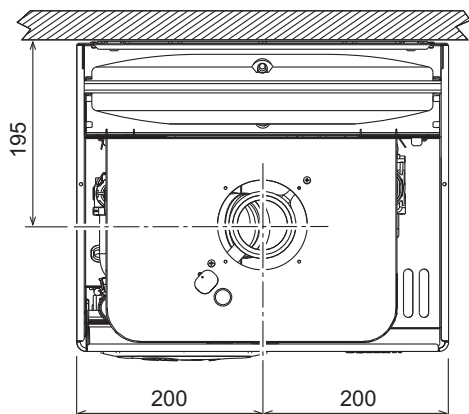


рис. 23- Вид сверху - HF24 и HF32

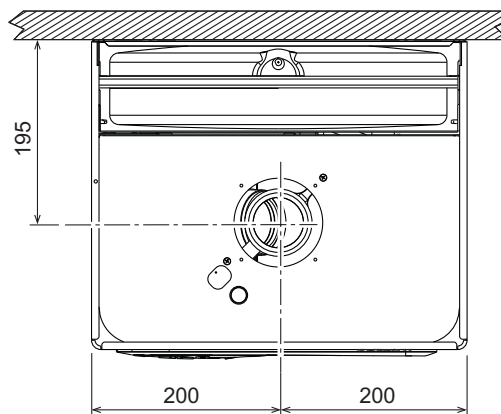


рис. 24- Вид сверху HF32

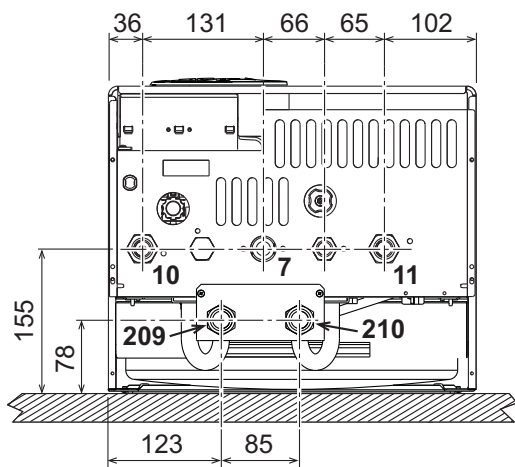


рис. 25- Вид снизу - HF24 и HF32

- 7 Подвод газа - Ø3/4"
- 10 Подача в систему - Ø3/4"
- 11 Возврат из системы - Ø3/4"
- 209 Подача воды в бойлер - Ø3/4"
- 210 Возврат воды из бойлера - Ø3/4"



Wall holes

5.2 General view and main components

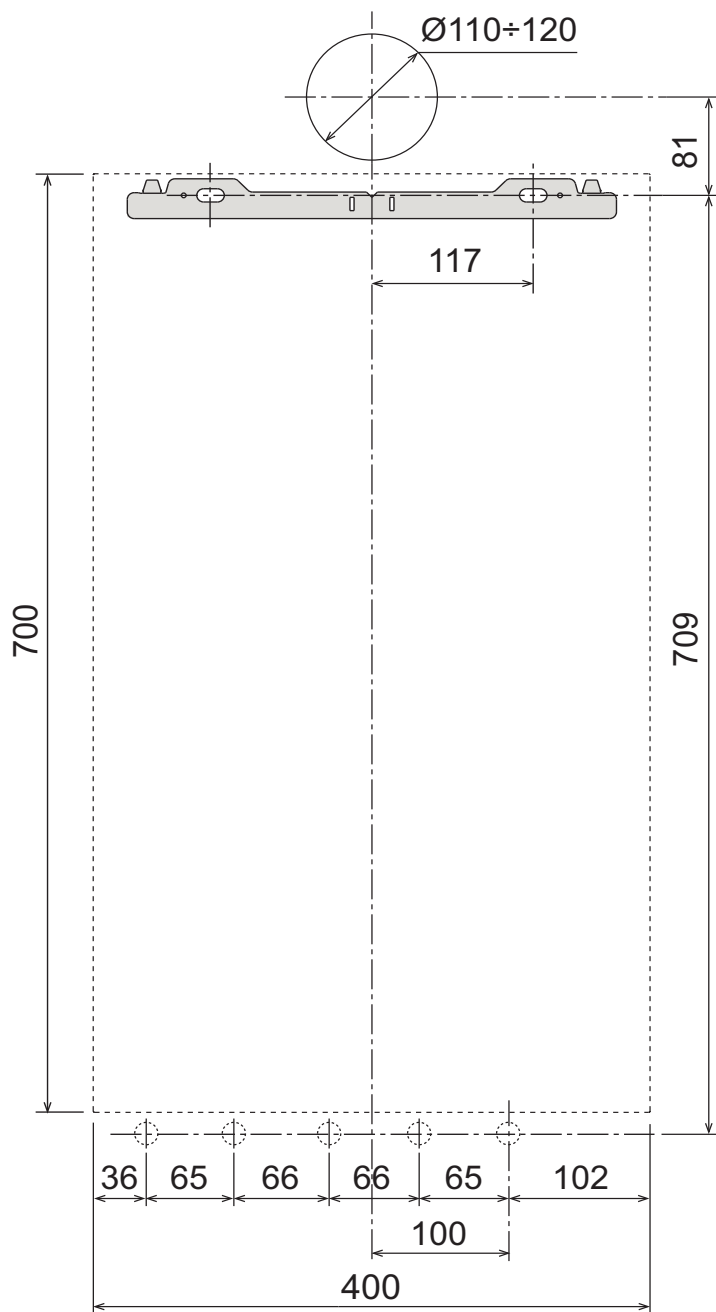


fig. 26

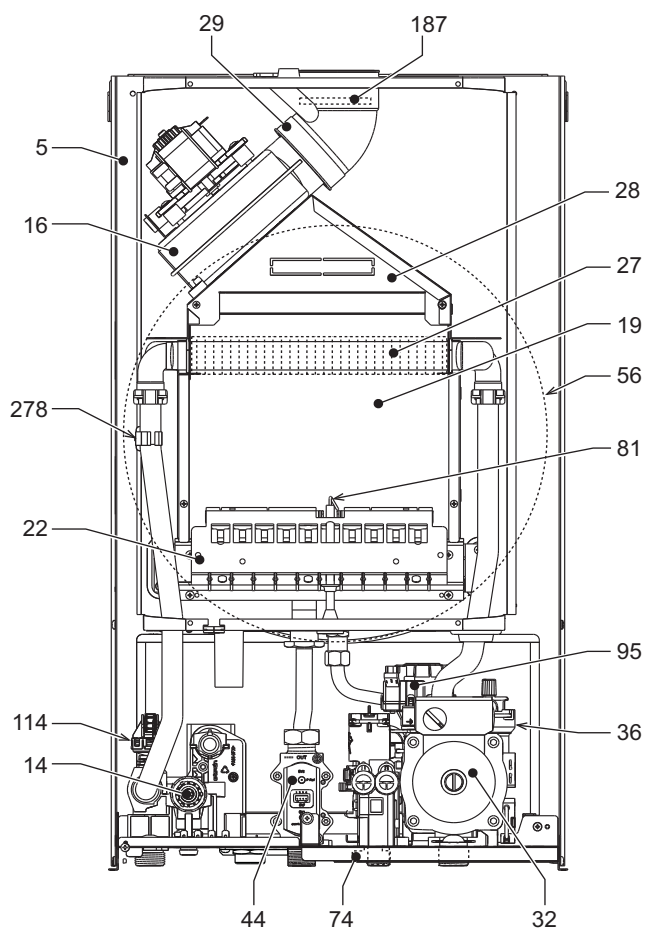


fig. 27 - General view - FL D HF24

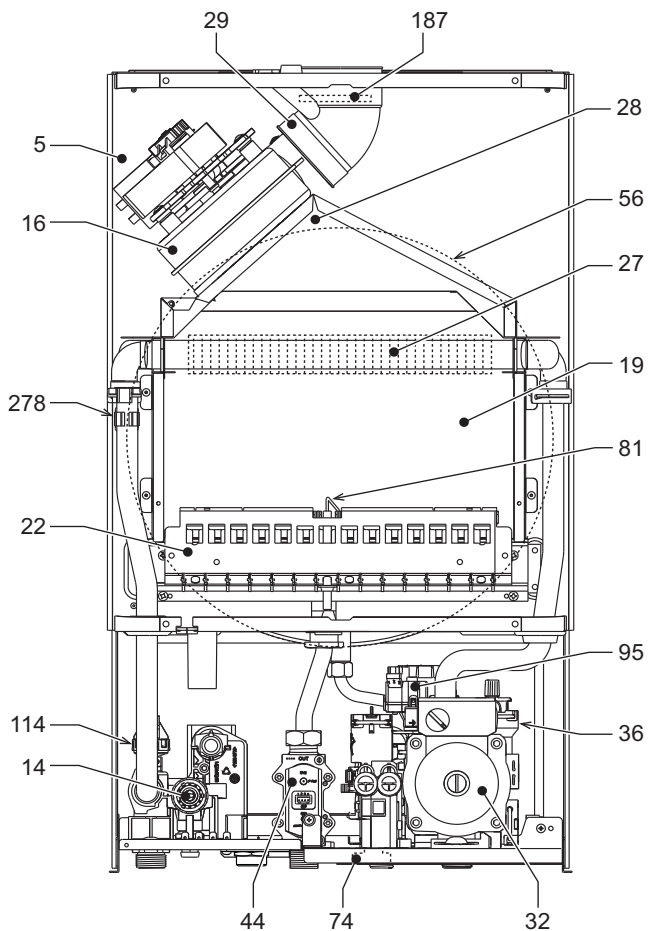


fig. 28 - General view - FL D HF32



### 5.3 Hydraulic circuit

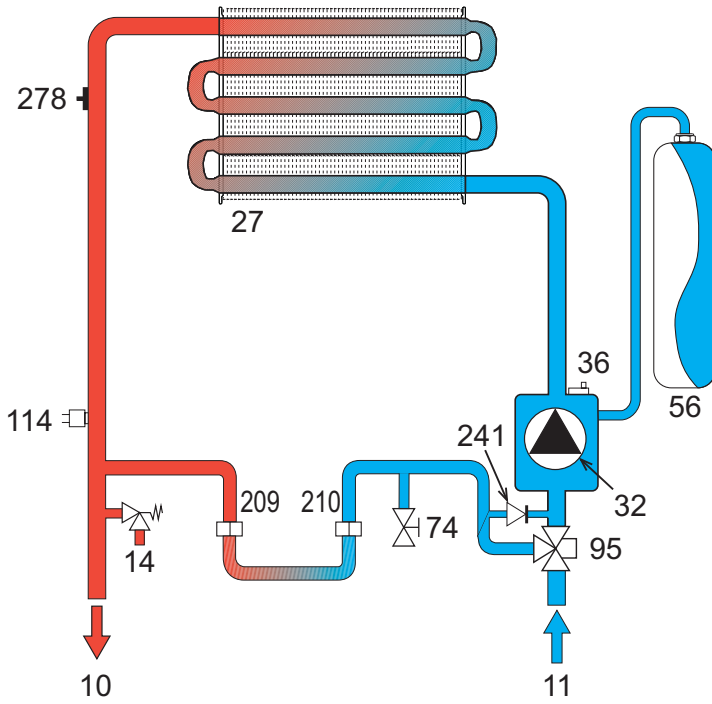


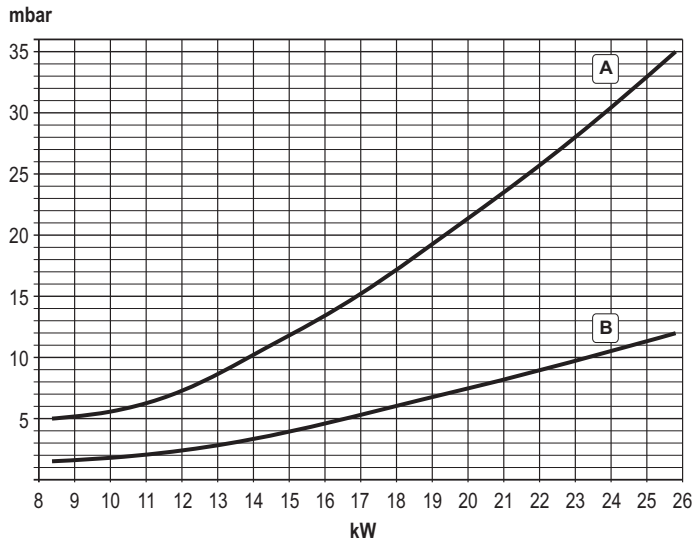
fig. 29- Heating circuit

### 5.4 Technical data table

Data	Unit	FL D HF24	FL D HF32	
Max. heating capacity	kW	25.8	34.4	(Q)
Min. heating capacity	kW	8.3	11.5	(Q)
Max. Heat Output in heating	kW	24.0	32.0	(P)
Min. Heat Output in heating	kW	7.2	9.9	(P)
Efficiency Pmax (80-60°C)	%	93.0	93.1	
Efficiency 30%	%	90.5	91.0	
NOx emissions class	-	3 (<150 mg/kWh)		(NOx)
Burner nozzles G20	no. x Ø	11 x 1.35	15 x 1.35	
Gas supply pressure G20	mbar	20.0	20.0	
Max. gas pressure at burner (G20)	mbar	12.0	12.0	
Min. gas pressure at burner (G20)	mbar	1.5	1.5	
Max. gas flow G20	m³/h	2.73	3.64	
Min. gas flow G20	m³/h	0.88	1.22	
Burner nozzles G31	no. x Ø	11 x 0.79	15 x 0.79	
Gas supply pressure G31	mbar	37	37	
Max. gas pressure at burner (G31)	mbar	35.0	35.0	
Min. gas pressure at burner (G31)	mbar	5.0	5.0	
Max. gas flow G31	kg/h	2.00	2.69	
Min. gas flow G31	kg/h	0.65	0.90	
Max. working pressure in heating	bar	3	3	(PMS)
Min. working pressure in heating	bar	0.8	0.8	
Max. heating temperature	°C	90	90	(tmax)
Heating water content	liters	1.0	1.2	
Heating expansion vessel capacity	liters	8	10	
Heating expansion vessel precharge pressure	bar	1	1	
Protection rating	IP	X5D	X5D	
Power supply voltage	V/Hz	230V/50Hz		
Electrical power input	W	110	135	
Empty weight	kg	32	35	
Type of unit		C <sub>12</sub> -C <sub>22</sub> -C <sub>32</sub> -C <sub>42</sub> -C <sub>52</sub> -C <sub>62</sub> -C <sub>72</sub> -C <sub>82</sub> -B <sub>22</sub>		

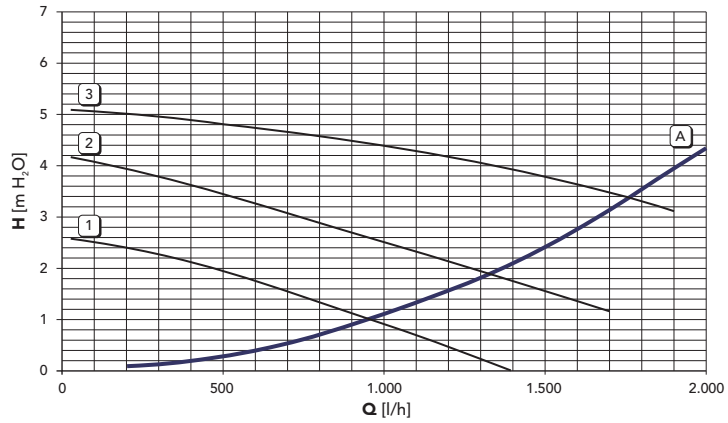
**5.5 Diagrams**

**Pressure - power diagrams FL D HF24**



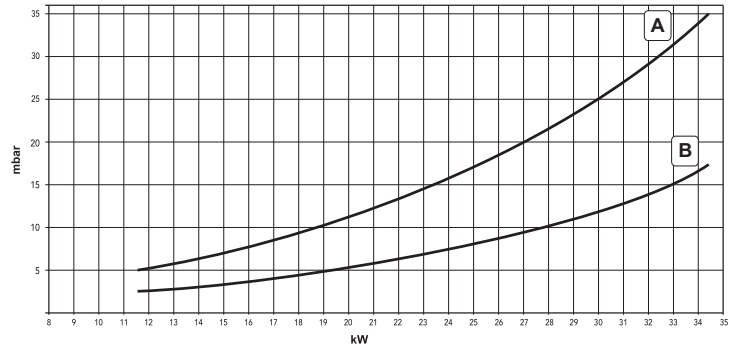
**A = LPG - B = NATURAL GAS**

**Circulating pump head / pressure losses FL D HF24**



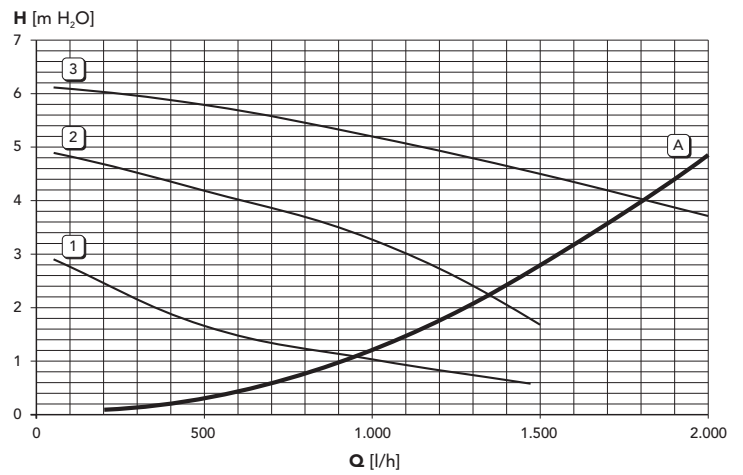
**A = Boiler pressure losses - 1, 2 and 3 = Circulating pump speed**

**Pressure - power diagrams FL D HF32**



**A = LPG - B = NATURAL GAS**

**Circulating pump head / pressure losses FL D HF32**



**A = Boiler pressure losses - 1, 2 and 3 = Circulating pump speed**

## 5.6 Wiring diagram

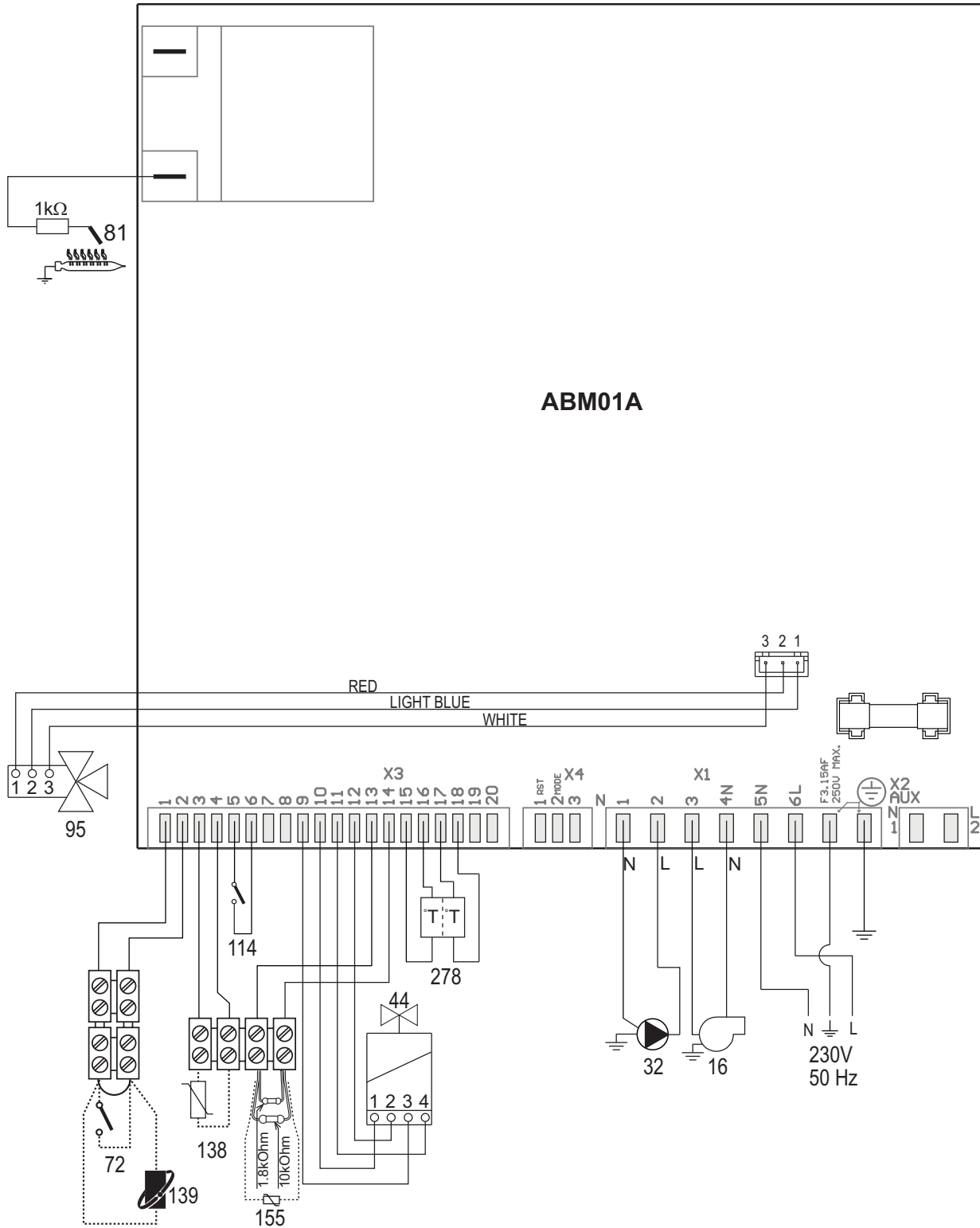


fig. 30- Wiring diagram

**Attention:** Remove the jumper on the terminal block before connecting the **room thermostat** or the **remote timer control**.

- 16 Fan
- 32 Heating circulating pump
- 44 Gas valve
- 72 Room thermostat (optional)
- 81 Ignition/detection electrode
- 95 Diverter valve
- 114 Water pressure switch
- 138 External probe (optional)
- 139 Remote timer control (optional)
- 155 Hot water tank probe (optional)
- 278 Double sensor (Safety + heating)



- Внимательно прочитайте предупреждения, содержащиеся в настоящем руководстве
- После установки котла проинформируйте пользователя о принципе работы аппарата и передайте ему настоящее руководство; оно является существенной и неотъемлемой частью изделия и должно быть бережно сохранено для использования в будущем
- Установка и техническое обслуживание должны осуществляться квалифицированными специалистами в соответствии с действующими нормативами, согласно инструкциям изготовителя и прошедшим курс обучения в специализированном центре. Запрещается выполнять какие-либо операции с опломбированными регулировочными устройствами. Запрещается выполнять какие-либо работы на опломбированных регулировочных устройствах
- Неправильная установка или ненадлежащее техническое обслуживание могут быть причиной вреда для людей, животных и имущества. Изготовитель не несет никакой ответственности за ущерб, связанный с ошибочными установкой и эксплуатацией аппарата, а также с несоблюдением предоставленных им инструкций
- Перед выполнением любой операции очистки или технического обслуживания отсоедините прибор от сетей питания с помощью главного выключателя и/или предусмотренных для этой цели отсечных устройств
- В случае неисправной и/или ненормальной работы агрегата, выключите его и воздерживайтесь от любой попытки самостоятельно отремонтировать или устранить причину неисправности. В таких случаях обращайтесь исключительно квалифицированному персоналу. Возможные операции по ремонту-замене комплектующих должны выполняться только квалифицированными специалистами с использованием исключительно оригинальных запчастей. Несоблюдение всего вышеуказанного может нарушить безопасность работы агрегата
- Настоящий агрегат допускается использовать только по тому назначению, для которого он спроектирован и изготовлен. Любое другое его использование следует считать ненадлежащим и, следовательно, опасным
- Упаковочные материалы являются источником потенциальной опасности и не должны быть оставлены в местах, доступных детям.
- Не разрешается использование агрегата лицами (в том числе, детьми) с ограниченными физическими, сенсорными или умственными возможностями или лицами без надлежащего опыта и знаний, если они не находятся под непрерывным надзором или проинструктированы насчет правил безопасного использования агрегата.
- Приведенные в настоящем руководстве изображения дают упрощенное представление изделия, которое может существенно отличаться от готового изделия
- УКАЗАНИЯ ПО УТИЛИЗАЦИИ ОБОРУДОВАНИЯ**  
Утилизация оборудования должна производиться в специализированных предприятиях согласно действующему законодательству.
- УКАЗАНИЯ ПО ХРАНЕНИЮ ОБОРУДОВАНИЯ**  
Для обеспечения правильных условий хранения, строго придерживаться указаний в руководстве по эксплуатации и маркировке на упаковке.  
Оборудование должно храниться в закрытом и сухом помещении, в отсутствие токопроводящей пыли и паров химически активных веществ, разрушающих изоляцию токопроводов. Срок хранения не должен превышать 24 месяца. По истечении 24 месяцев необходима проверка целостности оборудования.
- РЕСУРС РАБОТЫ И СРОК СЛУЖБЫ**  
Срок службы зависит от условий эксплуатации, установки и технического обслуживания.  
Установка оборудования должна производиться в соответствии с действующим законодательством, а изнашивающиеся детали должны быть своевременно заменены.  
Решение о прекращении эксплуатации, списании и утилизации принимает Владелец исходя из фактического состояния оборудования и затрат на ремонт.  
Срок службы - 10 лет.
- Заводская табличка находится на задней стороне котла.

	Данный символ означает "Осторожно" и сопровождает все указания, касающиеся безопасности. Строго придерживайтесь таких указаний во избежание опасности вреда для здоровья людей и животных и материального ущерба.
	Данный символ обращает внимание на важное указание или предупреждение.

**Lamborghini**  
CALORECLIMA

---

Manufacturer / Производитель: **FERROLI S.p.A**  
 Manufacturer address: **37047 San Bonifacio (VR) - Italy**  
 Адрес производителя: **via Ritonda 78/A**  
 Model/Модель: **FL D HF24**  
 Code / Код: **0DAO4ZYD**

---

Котел отопительный газовый  
 кат. II 2НЗВ/Р 2Н - G20 20 мбар; RU

	МАКС	МИН			
Q <sub>hw</sub> (Hi)	25.8	8.3	кВт	PMS 3.0 бар	PMW бар
Q <sub>n</sub> (Hi)	25.8	8.3	кВт	t <sub>max</sub> 90 °C	D л/мин
P <sub>n</sub> 80°-60°	24.0	7.2	кВт	H <sub>2</sub> O л	
P <sub>n</sub> 50°-30°	-	-	кВт	Класс NOx 3	

~230В / 50Гц      110 W /Вт      IPX4D

Сделано в Италии

---

Serial number  
Серийный номер:

---

Barcode EAN13:  
Штрих-код EAN13:

---

Production date: **See the manual**  
Дата производства: **Смотри инструкцию**

---

Данный прибор должен устанавливаться в соответствии с действующей инструкцией по монтажу и работать только в помещении с достаточной вентиляцией. Изучите инструкцию, прежде чем устанавливать прибор и вводить его в эксплуатацию. Нарушение требований инструкций по монтажу, технического обслуживания и правил эксплуатации прибора может привести к опасности возникновения пожара, взрыва, отравления угарным газом, поражения электрическим током и термического воздействия.

<b>Q<sub>hw</sub> (Hi)</b>	Макс. теплопроизводительность системы ГВС (Hi)
<b>Q<sub>n</sub> (Hi)</b>	Макс. теплопроизводительность системы отопления (Hi)
<b>P<sub>n</sub> 80-60°C</b>	Макс. теплопроизводительность системы отопления (80/60°C)
<b>P<sub>n</sub> 50-30°C</b>	Макс. теплопроизводительность системы отопления (50/30°C)
<b>PMS</b>	Макс. рабочее давление в системе отопления
<b>t<sub>max</sub></b>	Макс. температура в системе отопления
<b>H<sub>2</sub>O</b>	Объем воды в системе ГВС
<b>NOx</b>	Класс по выбросам NOx
<b>PMW</b>	Макс. рабочее давление в системе ГВС
<b>D</b>	Расход ГВС при Δt 30°C

Serial Number		18 = Год выпуска
		20 = Производственная неделя
		KK = Линия сборки
		0021 = Прогрессивное число

Маркировочная табличка находится на правой стороне агрегата.



### 1. УКАЗАНИЦ ОБЩЕГО ХАРАКТЕРА

- Внимательно прочитайте предупреждения, содержащиеся в настоящем руководстве, т.к. в них приводятся важные указания по безопасному монтажу, эксплуатации и техобслуживанию агрегата.
- Руководство по эксплуатации является неотъемлемой и важной частью агрегата; пользователь должен бережно сохранять его для возможного использования в будущем.
- В случае продажи или передачи агрегата другому владельцу или в случае переезда удостоверьтесь, что руководство находится вместе с котлом, для того, чтобы им мог воспользоваться новый владелец и/или монтажник.
- Установка и техническое обслуживание котла должны производиться квалифицированным персоналом при соблюдении действующих норм и в соответствии с указаниями изготовителя.
- Неправильная установка или ненадлежащее техническое обслуживание могут быть причиной вреда для людей, животных и имущества. Изготовитель не несет никакой ответственности за ущерб, связанный с неправильной установкой и эксплуатацией агрегата, а также с несоблюдением предоставленных им инструкций.
- Перед выполнением любой операции очистки или технического обслуживания отсоедините прибор от сетей питания с помощью главного выключателя и/или предусмотренных для этой цели отсечных устройств.
- В случае неисправной и/или ненормальной работы агрегата выключите его и воздерживайтесь от любой попытки самостоятельно отремонтировать или устранить причину неисправности. В таких случаях обращайтесь исключительно квалифицированному персоналу. Возможные операции по ремонту или замене комплектующих должны выполняться только квалифицированными специалистами с использованием исключительно оригинальных запчастей. Несоблюдение вышеуказанных предписаний может нарушить безопасность агрегата.
- Для обеспечения исправной работы агрегата необходимо проводить его периодическое техобслуживание квалифицированным персоналом.
- Настоящий агрегат допускается использовать только по тому назначению, для которого он спроектирован и изготовлен. Любое другое его использование следует считать ненадлежащим и, следовательно, опасным.
- После распаковки аппарата убедитесь в его сохранности. Упаковочные материалы являются источником потенциальной опасности и не должны оставаться в местах, доступных детям.
- Прибор может использоваться детьми старше 8 лет, а также лицами с ограниченными физическими, сенсорными или умственными возможностями, либо отсутствием опыта или необходимых знаний при условии, что они находятся под присмотром, или после получения ими инструкций относительно безопасного использования прибора и понимания связанных с ним опасностей. Дети не должны играть с прибором. Чистка и техническое обслуживание, которые должны выполняться пользователем, могут выполняться детьми старше 8 лет, только если они находятся под присмотром.
- В случае сомнений не эксплуатируйте агрегат и обратитесь к изготовителю.
- Утилизация агрегата и его принадлежностей должна выполняться надлежащим образом в соответствии с действующим законодательством.
- Приведенные в настоящем руководстве изображения дают упрощенное представление изделия. На данном изображении могут присутствовать некоторые несущественные отличия от готового изделия.


**CE** МАРКИРОВКА CE ПОДТВЕРЖДАЕТ, ЧТО ПРОДУКЦИЯ СООТВЕТСТВУЕТ ОСНОВНЫМ ТРЕБОВАНИЯМ СООТВЕТСТВУЮЩИХ ДЕЙСТВУЮЩИХ ДИРЕКТИВ. ДЕКЛАРАЦИЯ О СООТВЕТСТВИИ МОЖЕТ БЫТЬ ЗАТРЕБОВАНА У ПРОИЗВОДИТЕЛЯ.

### 2. ИНСТРУКЦИИ ПО ЭКСПЛУАТАЦИИ

#### 2.1 Предисловие

Уважаемый покупатель!

**FLD HF** Данный котел представляет собой высокоэффективный конденсационный тепловой генератор с герметичной камерой сгорания для отопления и ГВС (опция), работающий на природном или сжиженном нефтяном газе и оснащенный микропроцессорной системой управления.

 Котел может работать в комбинации с внешним бойлером (опция) для ГВС. Описанные в настоящем руководстве функции, относящиеся к производству воды для ГВС, используются только при наличии дополнительного бойлера, подключенному к котлу, как указано в sez. 3.3

#### 2.2 Панель управления

Панель

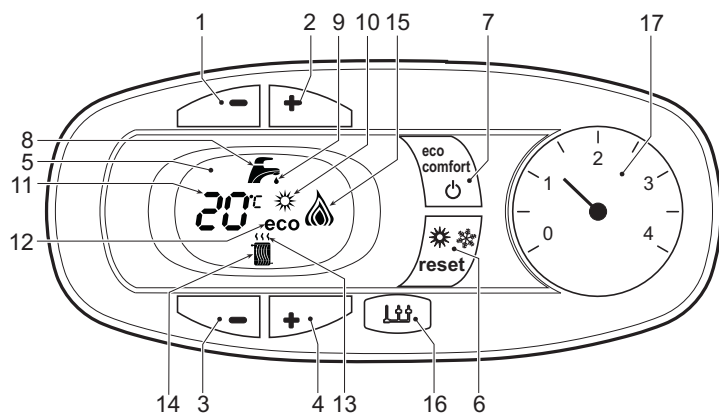


рис. 1 - Панель управления

#### Условные обозначения на панели управления рис. 1

- 1 Кнопка уменьшения задаваемой температуры в системе ГВС
- 2 Кнопка увеличения задаваемой температуры в системе ГВС
- 3 Кнопка уменьшения задаваемой температуры в системе отопления
- 4 Кнопка увеличения задаваемой температуры в системе отопления
- 5 Дисплей
- 6 Кнопка "Сброс" - Выбор режима "Лето"/"Зима" - Меню "Плавающая температура"
- 7 Кнопка выбора режима "Экономичный"/"Комфорт" - "Вкл/Выкл" котла
- 8 Символ ГВС
- 9 Символ работы агрегата в режиме ГВС
- 10 Индикация "Летний режим"
- 11 Индикация многофункционального режима
- 12 Символ режима "Еco" (Экономичный)
- 13 Индикация работы агрегата в режиме отопления
- 14 Символ отопления
- 15 Индикация зажженной горелки и текущей мощности (мигает при сбоях со сгоранием)
- 16 Подключение к средствам технического обслуживания
- 17 Гидрометр

#### Индикация во время работы котла

##### Режим отопления

О поступлении команды на включение отопления (от комнатного термостата или от пульта ДУ с таймером) предупреждает мигание индикатора теплого воздуха над символом батареи на дисплее.

На дисплее (поз. 11 - рис. 1) высвечивается текущая температура воды, подаваемой в систему отопления, а во время ожидания отопления - символ "d2".

##### Режим горячей водоснабжения

О поступлении команды на включение системы ГВС, генерируемой при заборе горячей воды, предупреждает мигание соответствующего индикатора под символом крана на дисплее.

На дисплее (поз. 11 - рис. 1) высвечивается выходная температура воды в контуре ГВС, а во время ожидания выдачи воды ГВС - символ "d1".

##### Режим Comfort

О поступлении команды на переключение в режим (восстановление внутренней температуры котла) предупреждает мигание индикатора, расположенного под краном. На дисплее (поз. 11 - рис. 1) высвечивается температура воды в котле.

##### Неисправность

В случае неисправности (см. сар. 4.4) на дисплее отображается код неисправности (поз. 11 - рис. 1), а во время предохранительного ожидания - надписи "d3", "d4" и "d5".

#### 2.3 Включение и выключение

##### Подключение к сети электропитания

- В течение 5 секунд на дисплее будет высвечиваться версия программного обеспечения, установленного в электронном блоке.
- Откройте газовый вентиль, установленный перед котлом.
- Теперь котел готов к автоматическому включению при каждом заборе горячей воды или при поступлении сигнала на включение системы отопления (от комнатного термостата или устройства ДУ с таймером).

##### Выключение и включение котла

Нажмите на кнопку **Вкл./Выкл.** (поз. 7 - рис. 1) на 5 секунд.

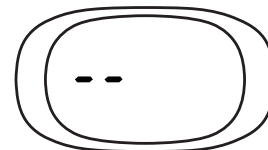


рис. 2 - Выключение котла

Когда котел выключен, на электронную плату продолжает подаваться электрическое питание. При этом не происходит нагрева воды для систем отопления и ГВС. Остается активной противообледенительная система. Для повторного включения котла снова нажмите клавишу **Вкл./Выкл.** (поз. 7 рис. 1) на 5 секунд.

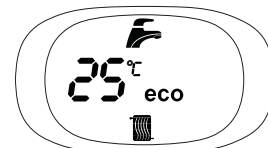


рис. 3

Этим обеспечивается немедленная готовность котла к работе каждый раз при потреблении горячей воды или при запросе на отопление (подаваемом комнатным термостатом или устройством дистанционного управления с таймером).



При отключении котла от системы электропитания и/или газовой магистрали противообледенительная система не работает. Во время длительного неиспользования котла в зимний период, во избежание ущерба от возможного замерзания рекомендуется слить всю воду из котла, как из контура отопления, так и из контура ГВС; или же слить только воду из контура ГВС и добавить антифриз в систему отопления в соответствии с указаниями, приведенными в sez. 3.3.

## 2.4 Регулировки

### Переключение режимов "Лето"/"Зима"

Нажмите кнопку "Лето"/"Зима" (поз. 6 - рис. 1) на 2 секунды.

На дисплее высветится символ "Лето" (поз. 10 - рис. 1): При этом котел будет вырабатывать только воду для ГВС. Остается активной система антизамерзания.

Для выключения режима "Лето" вновь нажмите кнопку "Лето"/"Зима" (поз. 6 - рис. 1) на 2 секунды

### Регулировка температуры воды в системе отопления

Используйте кнопки системы отопления (поз. 3 и 4 - рис. 1), чтобы изменять температуру в диапазоне между мин. 30°C и макс. 80°C; тем не менее, не рекомендуется эксплуатировать котел при температурах ниже 45°C.

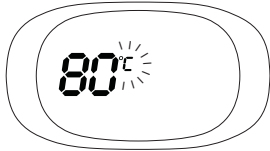


рис. 4

### Регулировка температуры в системе горячего водоснабжения (ГВС)

Используйте кнопки системы ГВС (поз. 1 и 2 - рис. 1) для изменения температуры от минимальной 40°C до максимальной 55°C.

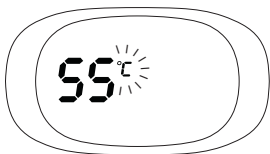


рис. 5

### Регулировка температуры воздуха в помещении (с помощью опционального термостата температуры в помещении)

Задайте с помощью термостата температуры воздуха в помещении нужную температуру внутри помещения. При отсутствии термостата температуры воздуха в помещении котел обеспечивает поддержание в системе отопления заданной температуры воды.

### Регулировка температуры воздуха в помещении (с помощью опционального устройства ДУ с таймером)

Задайте с помощью устройства ДУ с таймером нужную температуру внутри помещения. Котел будет поддерживать температуру воды в системе, необходимую для обеспечения в помещении заданной температуры воздуха. В том, что касается работы котла с устройством ДУ с таймером, см. соответствующую инструкцию на это устройство.

### Выбор режимов ECO/COMFORT

Котел оборудован специальной функцией, обеспечивающей высокую скорость подачи воды в системе ГВС и максимальный комфорт для пользователя. Когда это устройство задействовано (режим COMFORT), оно поддерживает температуру находящейся в котле воды, обеспечивая тем самым немедленное поступление горячей воды при открытии крана и устраняя необходимость ждать этого некоторое время.

Данное устройство может быть отключено пользователем (режим ECO), нажав клавишу **eco/comfort** (поз. 7 - рис. 1). При работе в режиме ECO на дисплее высветивается соответствующий символ (поз. 12 - рис. 1). Для включения режима "КОМФОРТ" снова нажмите кнопку "Экономичный"/"Комфорт" (поз. 7 - рис. 1).

### Плавающая температура

При установке внешнего датчика (опция) регулировка котла осуществляется в режиме "плавающей температуры". В этом режиме температура воды, подаваемой в систему отопления, регулируется в зависимости от внешних климатических условий, что позволяет обеспечивать круглогодичный максимальный комфорт и экономии энергии. Так, при повышении внешней температуры понижается температура подачи воды в систему отопления согласно некоторой определенной компенсационной кривой.

Согласно регулировкам по плавающей температуре, температура, заданная кнопками системы отопления (поз. 3 - рис. 1) становится максимальной температурой подачи в систему. Рекомендуется устанавливать ее на максимальную величину, чтобы позволить системе выполнять регулировку во всем полезном рабочем диапазоне.

Регулировки котла должны выполняться квалифицированными специалистами при его установке. В дальнейшем пользователь может сам изменить их для обеспечения максимального комфорта.

### Компенсационная кривая и смещение кривых

Нажмите на кнопку сброса (поз. 6 - рис. 1) на 5 секунд открывается доступ к меню «Плавающая температура» и отображается мигающая надпись «CU».

Используйте кнопки системы ГВС (поз. 1 - рис. 1) Выберите нужную характеристику от 1 до 10 (рис. 6) При установке кривой на 0 режим "плавающей температуры" отключается.

Нажмите на кнопки системы отопления (поз. 3 - рис. 1) осуществляется доступ к параллельному перемещению кривых, при этом на дисплее мигает символ "OF" Используйте кнопки системы ГВС (поз. 1 - рис. 1) для параллельного изменения кривых в соответствии с характеристикой (рис. 7)

При повторном нажатии на кнопку сброса (поз. 6 - рис. 1) в течение 5 секунд осуществляется выход из меню "Плавающая температура"

Если температура в помещении оказывается ниже желаемой, рекомендуется выбрать характеристику более высокого порядка и наоборот Действуйте, увеличивая или уменьшая на одну единицу порядок кривой и оценивая, каким образом это скажется на величине температуры в помещении.

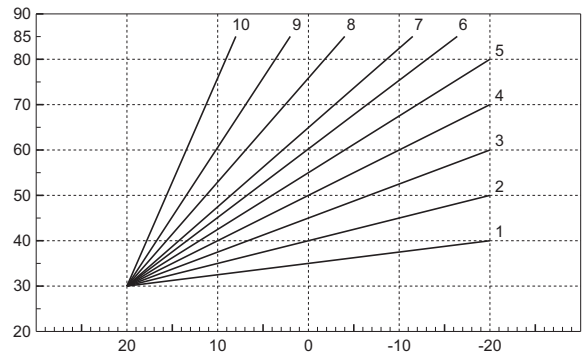


рис. 6 - Компенсационные характеристики

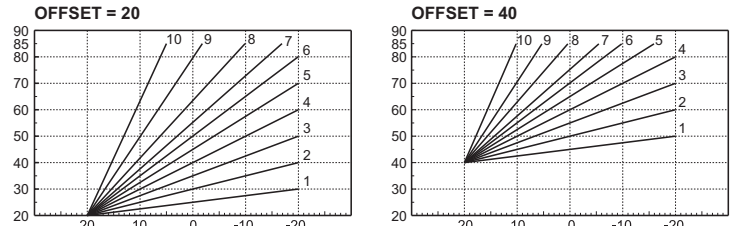


рис. 7 - Пример параллельного смещения компенсационных характеристик

### Регулирование с дистанционного пульта управления с таймером

В случае подключения к котлу пульта ДУ с таймером (опция) вышеописанные регулировки должны выполняться в соответствии с таблицей 1.

Таблица. 1

Регулировка температуры воды в системе отопления	Регулировку можно осуществлять как через меню пульта ДУ с таймером, так и с панели управления котла.
Регулировка температуры в системе горячего водоснабжения (ГВС)	Регулировку можно осуществлять как через меню пульта ДУ с таймером, так и с панели управления котла.
Переключение режимов "Лето"/"Зима"	Режим "Лето" обладает приоритетом над командой на включение отопления, которая может поступить от пульта ДУ с таймером.
Выбор режимов "ЭКОНОМИЧНЫЙ"/"КОМФОРТ"	При отключении режима ГВС с пульта ДУ котел устанавливается в режим "Экономичный" (ECO). В этих условиях кнопка "Экономичный"/"Комфорт" (поз. 7 - рис. 1) на панели управления котла заблокирована. При включении режима ГВС с пульта ДУ с таймером котел устанавливается в режим "Комфорт". В этих условиях с помощью кнопки "Экономичный"/"Комфорт" (поз. 7 - рис. 1) на панели управления котла можно выбрать любой из этих двух режимов.
Плавающая температура	Как пульт ДУ с таймером, так и электронный блок котла осуществляют управление котлом в режиме "плавающей температуры": из двух устройств приоритет имеет электронный блок котла.

### Регулировка давления воды в системе

Давление напора при заполнении холодного контура, считываемое гидрометром котла (поз. 2 - рис. 8), должно составлять приблизительно 1,0 бар. Если давление в системе упадет ниже минимально допустимых значений, котел остановится, а на дисплее высветится неисправность **F37**. Вытяните ручку заполнения (поз. 1 - рис. 8) и поверните ее против часовой стрелки на начальное значение. По окончании операции всегда убирайте ручку на место.

После восстановления давления в системе котел запускает цикл стравливания воздуха, который длится 300 секунд и обозначается на дисплее надписью **Fh**.

Во избежание блокировки котла рекомендуется периодически проверять по манометру давление в холодной системе. При опускании давления ниже 0,8 бар рекомендуется восстановить его до требуемого.

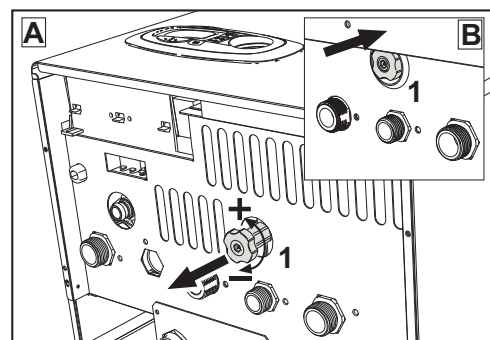


рис. 8- Ручка заполнения системы

## Опорожнение системы

Стопорная гайка сливного крана находится под предохранительным клапаном, расположенным внутри котла.

Для опорожнения системы поверните кольцевую гайку (поз. 1 - рис. 9) против часовой стрелки, чтобы открыть кран. Не используйте инструменты и действуйте только руками.

При сливе воды из котла предварительно закройте запорные клапаны между системой и котлом перед тем, как поворачивать стопорную гайку.

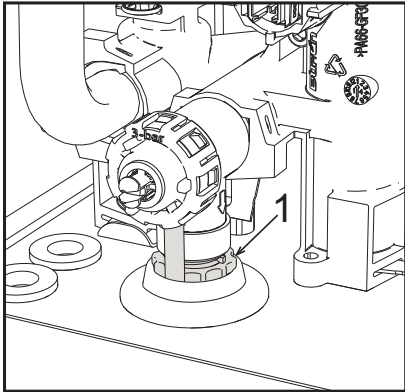


рис. 9- Предохранительный клапан со сливным краном

## 3. МОНТАЖ

### 3.1 Указания общего характера

УСТАНОВКА И НАСТРОЙКА ГОРЕЛКИ ДОЛЖНА ОСУЩЕСТВЛЯТЬСЯ ТОЛЬКО СПЕЦИАЛИЗИРОВАННЫМ ПЕРСОНАЛОМ, ИМЕЮЩИМ ПРОВЕРЕННУЮ КВАЛИФИКАЦИЮ, ПРИ СОБЛЮДЕНИИ ПРИВЕДЕННЫХ В НАСТОЯЩЕМ ТЕХНИЧЕСКОМ РУКОВОДСТВЕ УКАЗАНИЙ, ПРЕДПИСАНИЙ ДЕЙСТВУЮЩЕГО ЗАКОНОДАТЕЛЬСТВА, ПОЛОЖЕНИЙ МЕСТНЫХ НОРМ И ПРАВИЛ, И В СООТВЕТСТВИИ С ПРИНЯТЫМИ ТЕХНИЧЕСКИМИ ТРЕБОВАНИЯМИ.

### 3.2 Место установки

**!** Камера сгорания агрегата герметично изолирована от окружающей среды, поэтому он может устанавливаться в любом помещении, за исключением гаражей и автосервисных мастерских. Тем не менее помещение, в котором устанавливается котел, должно иметь достаточную вентиляцию для предотвращения опасных ситуаций в случае утечек газа, даже если они незначительны. В противном случае может возникнуть опасность удушья и отравления, либо взрыва и пожара. Данная норма безопасности предусмотрена директивой ЕС №2009/142 для всех агрегатов, работающих на газе, в том числе и для так называемых агрегатов с закрытой камерой.

Агрегат пригоден для работы в частично защищенном месте при минимальной температуре -5°C. Агрегат, оснащенный специальным комплектом против замерзания, может использоваться при минимальной температуре до -15°C. Котел должен устанавливаться в укрытии, например, под скатом крыши, внутри балкона или в защищенной нише.

В любом случае, место установки должно быть свободным от пыли, огнеопасных предметов или материалов или едких газов.

Котел предназначен для навешивания на стену и поставляется в комплекте с подвесным кронштейном. Крепление к стене должно обеспечивать стабильность и прочность положения котла.

**!** Если агрегат устанавливается среди мебели или боком к стене, следует предусмотреть свободное пространство, необходимое для демонтажа кожуха и выполнения обычных работ по техобслуживанию.

### 3.3 Гидравлические подключения

#### Предупреждения

**!** Сливное отверстие предохранительного клапана должно быть соединено с воронкой или со сливной трубой во избежание излияния воды на пол в случае повышения давления в отопительном контуре. В противном случае изготовитель котла не несет никакой ответственности за затопление помещения при срабатывании предохранительного клапана

**!** Перед выполнением подключения следует проверить, что аппарат готов для работы с имеющимся типом газа, после чего выполнить тщательную очистку всех трубопроводов отопительной системы.

Выполните подключения к соответствующим штуцерам согласно чертежу на рис. 25 и в соответствии с символами, имеющимися на самом агрегате.

**Примечание:** агрегат оснащен внутренним байпасным клапаном в системе отопления.

#### Характеристики воды для системы отопления

В случае, если жесткость воды превышает 25° Fr (1°F = 10 ppm CaCO<sub>3</sub>), используемая вода должна быть надлежащим образом подготовлена, чтобы предотвращать образование накипи в котле.

#### Система защиты от замерзания, жидкие антифризы, добавки и ингибиторы

Использование жидких антифризов, добавок и ингибиторов разрешается в случае необходимости только и исключительно, если их изготовитель дает гарантию, подтверждающую, что его продукция отвечает данному виду использования и не причинит вреда теплообменнику котла и другим комплектующим и/или материалам, использованным в конструкции котла и системы. Запрещается использовать жидкие антифризы, добавки и ингибиторы, не предназначенные специально для применения в тепловых установках и несовместимые с материалами, использованными в конструкции котла и системы отопления.

## Соединение с бойлером для ГВС

Электронная плата агрегата предназначена также для управления внешним бойлером для производства воды ГВС. Соединения труб системы отопления и ГВС должны быть выполнены в соответствии со схемой рис. 10. Выполните электрические соединения в соответствии с электрической схемой на рис. 30. Для этой цели необходимо использовать комплект с кодом 1KWMA11W. При следующем включении агрегата система управления опознает датчик бойлера и автоматически настраивается на работу с ним, вызывая активацию дисплея и устройств управления, необходимые для работы в режиме ГВС.

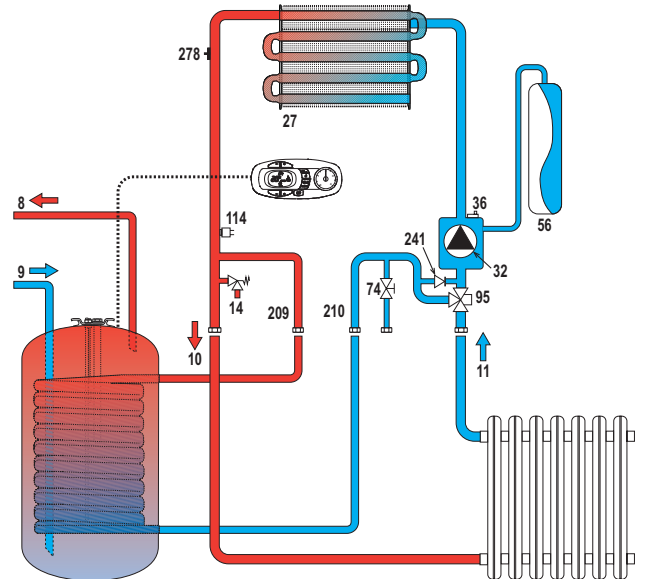


рис. 10- Схема соединений с внешним бойлером

- 8 Выход ГВС
- 9 Вход ГВС
- 10 Подача в систему - Ø3/4"
- 11 Возврат из системы - Ø3/4"
- 95 Распределительный клапан
- 209 Подача в бойлер - Ø3/4"
- 210 Возврат из бойлера - Ø3/4"

### 3.4 Газовые соединения

Газ подключается к соответствующему патрубку (см. рис. 25) с соблюдением действующих норм, с использованием жесткой металлической трубы или гибкого шланга из нержавеющей стали со сплошной оплеткой. Между газопроводом и котлом должен быть установлен газовый кран. Проверьте герметичность всех газовых соединений.

### 3.5 Электрические соединения

#### ПРЕДУПРЕЖДЕНИЯ И МЕРЫ ПРЕДОСТОРОЖНОСТИ

**!** ПЕРЕД ВЫПОЛНЕНИЕМ ЛЮБЫХ ОПЕРАЦИЙ, ПРЕДУСМАТРИВАЮЩИХ СНЯТИЕ КОЖУХА, ОТКЛЮЧАЙТЕ КОТЕЛ ИЗ ЭЛЕКТРИЧЕСКОЙ СЕТИ С ПОМОЩЬЮ ГЛАВНОГО ВЫКЛЮЧАТЕЛЯ.

**НИ В КОЕМ СЛУЧАЕ НЕ ПРИКАСАЙТЕСЬ К ЭЛЕКТРИЧЕСКИМ КОМПОНЕНТАМ ИЛИ КОНТАКТАМ ПРИ ВКЛЮЧЕННОМ ГЛАВНОМ ВЫКЛЮЧАТЕЛЕ! ОПАСНОСТЬ ПОРАЖЕНИЯ ЭЛЕКТРИЧЕСКИМ ТОКОМ С РИСКОМ ТРАВМ ИЛИ СМЕРТЕЛЬНОГО ИСХОДА!**

**!** Аппарат должен быть подключен к эффективной системе заземления, выполненной в соответствии с действующими нормами техники безопасности. Эффективность контура заземления и его соответствие нормам должны быть проверены квалифицированным персоналом. Изготовитель не несет никакой ответственности за ущерб, вызванный отсутствием заземления агрегата.

Котел поставляется с выполненной внутренней кабельной проводкой и снабжен соединительным шнуром трехполюсного типа без вилки для подключения к электрической сети. Подключение к сети должно быть постоянным, при этом между местом подключения к сети и котлом следует установить двухполюсный размыкатель с расстоянием между разомкнутыми контактами не менее 3 мм, а также предохранители с максимальным номинальным током 3А. При подключении к электрической сети важно соблюдать полярность (ЛИНИЯ: коричневый провод/ НЕЙТРАЛЬ: синий провод/ЗЕМЛЯ: желто-зеленый провод).

**!** Сетевой шнур агрегата НЕ ПОДЛЕЖИТ ЗАМЕНЕ САМИМ ПОЛЬЗОВАТЕЛЕМ. В случае повреждения сетевого шнура выключите агрегат и обратитесь для его замены к квалифицированному специалисту. В случае замены сетевого шнура используйте исключительно кабель типа "HAR H05 VV-F" 3x0,75 мм<sup>2</sup> с наружным диаметром не более 8 мм.

#### Термостат комнатной температуры (опция)

**!** ВНИМАНИЕ: ТЕРМОСТАТ КОМНАТНОЙ ТЕМПЕРАТУРЫ ДОЛЖЕН БЫТЬ УСТРОЙСТВОМ С КОНТАКТАМИ НЕ ПОД НАПРЯЖЕНИЕМ. ПРИ ПОДАЧЕ НАПРЯЖЕНИЯ 230 В НА КЛЕММЫ ТЕРМОСТАТА КОМНАТНОЙ ТЕМПЕРАТУРЫ ПОВЛЕЧЕТ ЗА СОБОЙ НЕПОДЛЕЖАЩЕЕ РЕМОНТУ ПОВРЕЖДЕНИЕ ЭЛЕКТРОННОЙ ПЛАТЫ.

При подключении регуляторов комнатной температуры с повременной программой управления или таймера, не следует запрыгивать их через размыкающие контакты. В зависимости от типа устройства питание должен подводиться напрямую от сети или от батареек.



### Доступ к клеммной коробке

При снятии обшивки открывается доступ к электрической клеммной коробке. Расположение клемм и их назначение показаны также на электрической схеме в рис. 30.

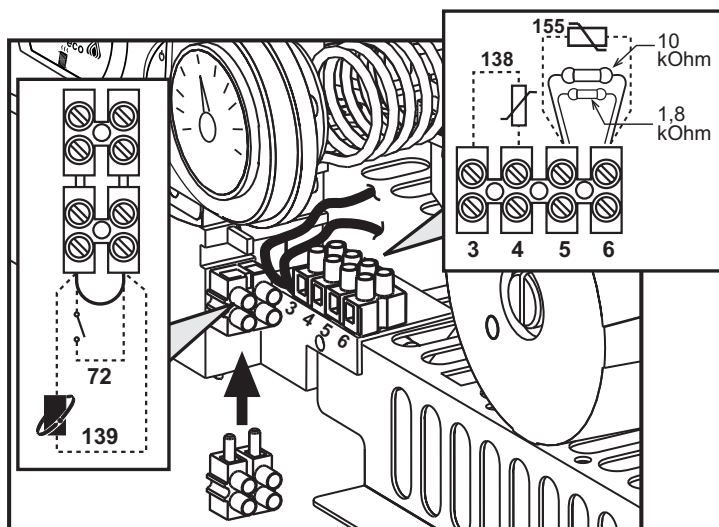


рис. 11- Доступ к клеммной коробке

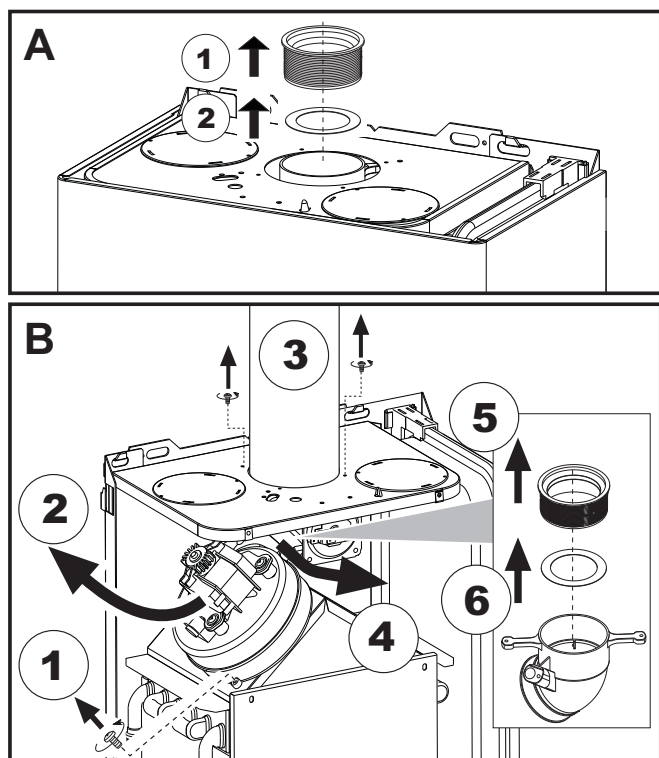
### 3.6 Дымоходы

#### Предупреждения

Данный аппарат относится к типу "С", т.е. к котлам с герметичной камерой сгорания и принудительной тягой. Воздухозабор и выход дымовых газов присоединяются соответственно к системам аспирации и дымоудаления, которые должны удовлетворять приведенным ниже требованиям. Данный аппарат сертифицирован для применения со всеми конфигурациями воздухопроводов **Сny**, указанными на табличке технических данных. Тем не менее, возможно, что применение некоторых конфигураций ограничивается или запрещается местными законами, нормами или правилами. Прежде чем приступить к монтажу, внимательно ознакомьтесь с соответствующими предписаниями и обеспечьте их строгое соблюдение. Кроме того, необходимо соблюдать правила, касающиеся расположения оголовков воздухопроводов на стене и/или крыше и минимальных расстояний от окон, стен, других воздухопроводов и т.д.

#### Диафрагмы

Для обеспечения работы котла необходимо установить диафрагмы, прилагаемые к агрегату. Убедитесь, что в котле находится требуемая диафрагма (в случае необходимости ее использования) и проверьте правильность ее установки.



**A** Замена диафрагмы в не установленном котле

**B** Замена диафрагмы в уже установленном котле и дымоходах

### Подсоединение с помощью коаксиальных труб

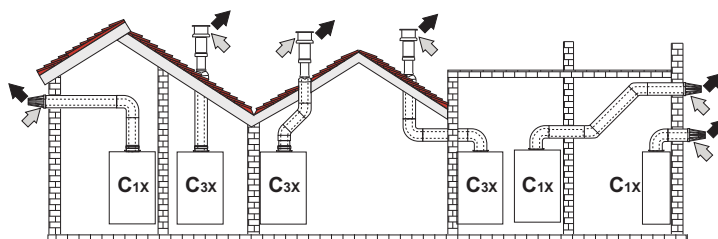
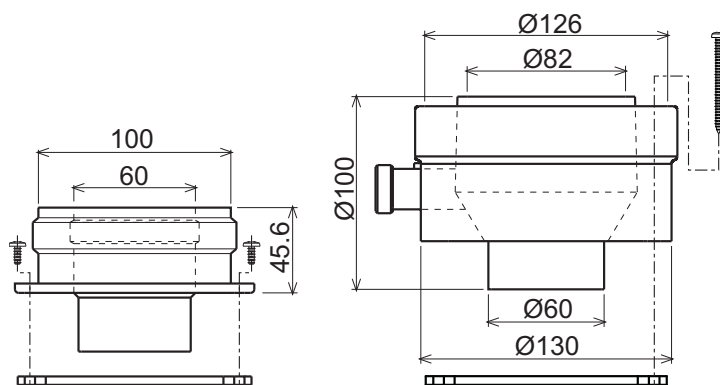


рис. 12 - Примеры присоединения с помощью коаксиальных труб (← = Воздух / → = Дымовые газы)

Таблица. 2 - Варианты исполнения

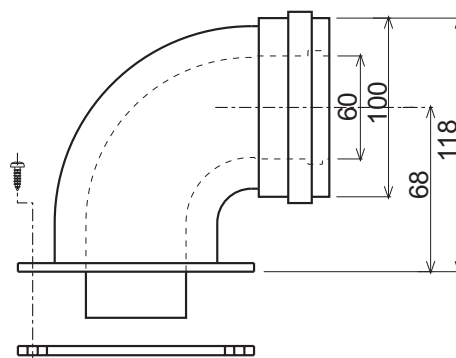
Тип	Наименование
C1X	Горизонтальные трубы для притока воздуха и удаления дымовых газов через стену
C3X	Вертикальные трубы для притока воздуха и удаления дымовых газов через крышу

Для коаксиального подсоединения установите на агрегат одну из следующих исходных деталей. Отверстия в стене следует выполнять в соответствии с рисунком на обложке.



010006X0

010018X0



010007X0

рис. 13 - Элементы для коаксиальных воздухопроводов

Таблица. 3- Диафрагмы для коаксиальных труб

	Коаксиальная 60/100	Коаксиальная 80/125
Максимально допустимая длина	FL D HF24 = 5 м FL D HF32 = 5 м	10 м
Коэффициент обжатия для колена с углом 90°	1 м	0,5 м
Коэффициент обжатия для колена с углом 45°	0,5 м	0,25 м
Требуемая диафрагма	0 ч 2 м HF24 = Ø43 HF32 = Ø45	0 ч 3 м HF24 = Ø43 HF32 = Ø45
	2 ч 5 м Без диафрагмы	3 ч 10 м Без диафрагмы



## Подключение с помощью отдельных труб

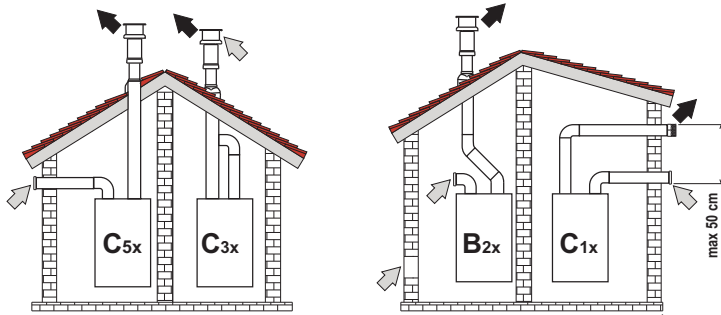


рис. 14 - Примеры подсоединения с помощью отдельных труб (⇨ = Воздух / ⇨ = дымовые газы)

Таблица 4 - Варианты исполнения

Тип	Наименование
C1X	Горизонтальные трубы для притока воздуха и удаления дымовых газов через стену. Оголовки для удаления дымовых газов и притока воздуха должны быть коаксиального типа или установлены на небольшом расстоянии друг от друга (не более 50 см), чтобы они подвергались одинаковым ветровым воздействиям.
C3X	Вертикальные трубы для притока воздуха и удаления дымовых газов через крышу. Оголовки для удаления дымовых газов и притока воздуха как для типа C12
C5X	Горизонтальные или вертикальные трубы для удаления дымовых газов и притока воздуха с оголовками, расположенными в местах с разным давлением. Отверстия для удаления дымовых газов и притока воздуха не должны находиться на противоположных стенах.
C6X	Отдельные системы притока воздуха и удаления дымовых газов, выполненные из труб одобренного типа (согласно стандарту EN 1856/1)
B2X	Забор приточного воздуха из помещения, где установлен аппарат, и удаление дымовых газов через стену или крышу. ⚠ <b>ВНИМАНИЕ - В ПОМЕЩЕНИИ ДОЛЖНА БЫТЬ ПРЕДУСМОТРЕНА ЭФФЕКТИВНАЯ СИСТЕМА ВЕНТИЛЯЦИИ</b>

Для подключения с помощью отдельных труб установите на агрегат следующую исходную деталь:

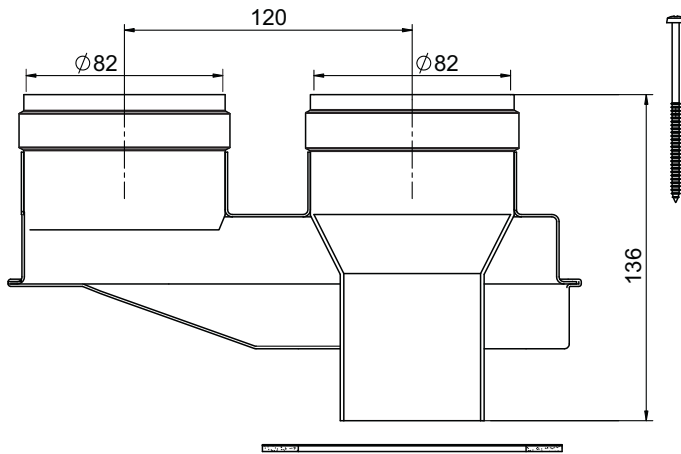


рис. 15 - Исходная деталь для отдельных труб, код 010031X0

Перед тем, как приступить к выполнению монтажа убедитесь, что используется требуемая диафрагма и не превышает максимально допустимая длина путем простого расчета:

- Окончательно определите схему прокладки отдельных воздухопроводов, включая аксессуары и выходные терминалы.
- Обратитесь к таблице 6 и определите потери в эк<sub>м</sub> (эквивалентных метрах) на каждом компоненте в зависимости от места его установки.
- Проверьте, чтобы полная сумма потерь была меньше или равной максимально допустимой величине, указанной в таблице 5.

Таблица 5 - Диафрагмы для отдельных труб

	FL D HF24		FL D HF32	
Максимально допустимая длина	60 эк <sub>м</sub>		48 эк <sub>м</sub>	
Требуемая диафрагма	0 - 20 эк <sub>м</sub>	Ø 43	0 - 15 эк <sub>м</sub>	Ø 45
	20 - 45 эк <sub>м</sub>	Ø 47	15 - 35 эк <sub>м</sub>	Ø 50
	45 - 60 эк <sub>м</sub>	Без диафрагмы	35 - 48 эк <sub>м</sub>	Без диафрагмы

Таблица 6 - Принадлежности

			Потери в м экв			
			Приток воздуха	Удаление продуктов сгорания		
				Вертикальная	Горизонтальная	
Ø 80	ТРУБА	0,5 м с внеш./внутр. резьбой	1KWWA38A	0,5	0,5	1,0
		1 м с внеш./внутр. резьбой	1KWWA83A	1,0	1,0	2,0
		2 м с внеш./внутр. резьбой	1KWWA06K	2,0	2,0	4,0
	КОЛЕНО	45° с внутр./внутр. резьбой	1KWWA01K	1,2	2,2	
		45° с внеш./внутр. резьбой	1KWWA65A	1,2	2,2	
		90° с внутр./внутр. резьбой	1KWWA02K	2,0	3,0	
		90° с внеш./внутр. резьбой	1KWWA82A	1,5	2,5	
		90° с внеш./внутр. резьбой + контрольная точка для замеров	1KWWA70U	1,5	2,5	
		90° с внутр./внутр. резьбой	1KWWA02K	2,0	3,0	
	СТАКАН	с контрольной точкой для замеров	1KWWA16U	0,2	0,2	
		для слива конденсата	1KWWA55U	-	3,0	
		со штуцером для слива конденсата	1KWWA05K	-	7,0	
ТРОЙНИК	для притока воздуха настенный	1KWWA85A	2,0	-		
	для удаления продуктов сгорания настенный с защитой от ветра	1KWWA86A	-	5,0		
ТЕРМИНАЛ	для притока воздуха настенный	1KWWA85A	2,0	-		
	для удаления продуктов сгорания настенный с защитой от ветра	1KWWA86A	-	5,0		
ДЫМОХОД	Раздельный для притока воздуха/удаления продуктов сгорания diam. 80/80	1KWWA84U	-	12,0		
	Только для удаления дымовых газов Ø80	1KWWA83U + 1KWWA86U	-	4,0		
Ø 100	СГОН	Ø80 - Ø100	1KWWA03U	0,0	0,0	
		Ø100 - Ø80		1,5	3,0	
	ТРУБА	1 м с внеш./внутр. резьбой	1KWWA08K	0,4	0,4	0,8
		45° с внеш./внутр. резьбой	1KWWA03K	0,6	1,0	
90° с внеш./внутр. резьбой		1KWWA04K	0,8	1,3		
ТЕРМИНАЛ	для притока воздуха настенный	1KWWA14K	1,5	-		
	для удаления продуктов сгорания настенный с защитой от ветра	1KWWA29K	-	3,0		
Ш 60	ТРУБА	1 м с внеш./внутр. резьбой	010028X0	-	2,0	6,0
		90° с внеш./внутр. резьбой	010029X0	-	6,0	
	СГОН	80 - 60	010030X0	-	8,0	
ТЕРМИНАЛ	Для дымовой трубы, настенный	1KWWA90A	-	7,0		
			⚠ <b>ВНИМАНИЕ: УЧИТЫВАЙТЕ ДРУГИЕ ПОТЕРИ НАПОРА ПРИНАДЛЕЖНОСТЕЙ Ø60, ИСПОЛЬЗУЙТЕ ИХ ТОЛЬКО ПРИ НЕОБХОДИМОСТИ И НА ПОСЛЕДНЕМ ТРАКТЕ ДЫМОХОДА.</b>			

## Подсоединение к коллективным дымоходам

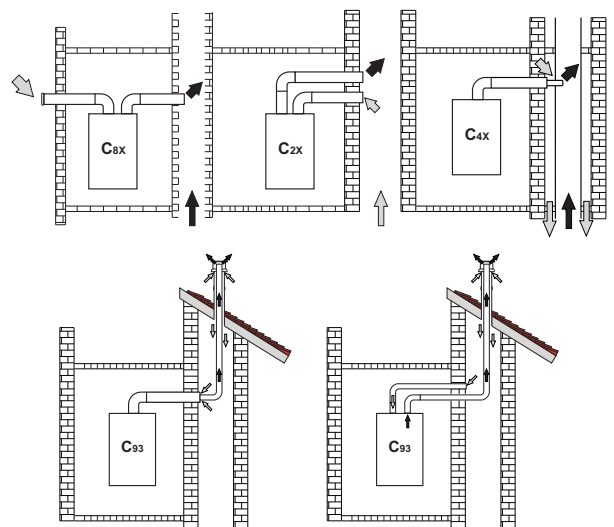


рис. 16 - Примеры подсоединения к дымоходам (⇨ = Воздух / ⇨ = Дымовые газы)

Таблица 7 - Варианты исполнения

Тип	Наименование
C2X	Забор приточного воздуха и удаление дымовых газов через общий дымоход (всасывание и вывод через одну трубу).
C4X	Забор приточного воздуха и удаление дымовых газов через раздельные общие дымоходы, подвергающиеся одинаковым ветровым воздействиям.
C8X	Удаление дымовых газов через отдельный или общий дымоход и забор приточного воздуха через отверстие в стене.
B3X	Забор приточного воздуха из помещения установки аппарата через коаксиальный трубопровод (включающий дымоотводящую трубу) и удаление дымовых газов через общий дымоход с естественной тягой. ⚠ <b>ВНИМАНИЕ - В ПОМЕЩЕНИИ ДОЛЖНА БЫТЬ ПРЕДУСМОТРЕНА ЭФФЕКТИВНАЯ СИСТЕМА ВЕНТИЛЯЦИИ</b>
C93	Удаление дымовых газов с вертикальной трубой и забор приточного воздуха через существующий дымоход.

Если требуется присоединить котел FL D HF к коллективному дымоходу или к отдельному дымоходу с естественной тягой, необходимым условием является, чтобы эти дымоходы были спроектированы квалифицированными специалистами в соответствии с действующими нормами и подходили для агрегатов с закрытой камерой сгорания, оборудованных вентилятором.

## 4. УХОД И ТЕХНИЧЕСКОЕ ОБСЛУЖИВАНИЕ

### Предупреждения



Все нижеописанные операции по регулировке, переоборудованию, вводу в эксплуатацию и техобслуживанию подлежат выполнению исключительно квалифицированными специалистами с подтвержденной квалификацией (обладающими профессиональными техническими качествами, предусмотренными действующим законодательством), такими как сотрудники обслуживающего вашу территорию сервисного центра.

LAMBORGHINI снимает с себя всякую ответственность за травмы или материальный ущерб, которые могут быть причинены в результате несанкционированного изменения конструкции агрегата неквалифицированными и неуполномоченными лицами.

### 4.1 Регулировки

#### Перевод котла с одного вида газа на другой



**ВСЕ КОМПОНЕНТЫ, ПОВРЕЖДЕННЫЕ ВО ВРЕМЯ ПЕРЕОБОРУДОВАНИЯ, ПОДЛЕЖАТ ЗАМЕНЕ.**

Агрегат рассчитан для работы как на метане, так на сжиженном нефтяном газе. Подготовка котла к работе на том или другом газовом топливе производится на заводе, причем соответствующее указание приведено на упаковке, а также на табличке технических данных, установленной на самом агрегате. В случае необходимости перевода котла на работу с газом, отличным от газа, для которого он был настроен на заводе, необходимо приобрести специально предусмотренный для этой цели комплект для переоборудования и действовать, как указано ниже:

- Отключите электрическое питание от котла и закройте газовый вентиль.
- Замените форсунки на горелке, установив форсунки, указанные в таблице технических данных в сар. 5, в соответствии с типом используемого газа
- Подайте питание на котел и откройте газовый вентиль.
- Измените параметр, соответствующий типу газа:
  - Установите котел в режим ожидания.
  - Нажмите на кнопки системы ГВС, поз. 1 и 2 - рис. 1, на 10 секунд; на дисплее начнет мигать "b01".
  - Используйте кнопки системы ГВС, поз. 1 и 2 - рис. 1, чтобы задать параметр 00 (для работы на метане) или 01 (для работы на сжиженном нефтяном газе).
  - Нажмите на кнопки системы ГВС, поз. 1 и 2 - рис. 1, на 10 секунд.
  - Котел вернется в режим ожидания.
- Отрегулируйте минимальное и максимальное давление на горелке (см. соответствующий параграф), задав значения, указанные в таблице технических данных, соответствующей типу используемого газа.
- Наклейте табличку, входящую в состав комплекта для переоборудования, рядом с табличкой технических данных для подтверждения факта переоборудования.

#### Активация функции автоматической настройки для калибровки газового клапана

**ДАННАЯ ПРОЦЕДУРА ДОЛЖНА ВЫПОЛНЯТЬСЯ ТОЛЬКО В СЛЕДУЮЩИХ СЛУЧАЯХ: ЗАМЕНА ГАЗОВОГО КЛАПАНА, ЗАМЕНА ПЛАТЫ, ПЕРЕОБОРУДОВАНИЕ НА ДРУГОЙ ВИД ГАЗА.**

Газовый клапан В&Р (со встроенным модулятором) не предусматривает механической калибровки: настройка минимальных и максимальных значений мощности выполняется электронным способом с помощью двух параметров:

Указатель	Описание	Природный газ	Пропан
q01	Абсолютное минимальное смещение тока:	0ч100	0ч150
q02	Абсолютное максимальное смещение тока:	0ч100	0-150

#### Предварительная калибровка газового клапана

- Подключите манометр для контроля выходного давления на газовом клапане.
- Подключите функцию **автоматической настройки** (параметр b12=1).
- Активируйте процедуру калибровки, нажав на кнопку отопления "+" одновременно с кнопкой Eco/Comfort на 5 секунд. При этом появится надпись «Au-to» (два последовательных мигания) и включится горелка. В течение 8 секунд (метан и СНГ) котел найдет точку воспламенения. Значения точки воспламенения, абсолютного минимального смещения тока (параметр q01) и абсолютного максимального смещения тока (параметр q02) запоминаются электронной платой.

#### Калибровка газового клапана

- На дисплее появится мигающий текст «q02»; ток модуляции доводится до значения предварительной калибровки параметра абсолютного максимального смещения тока (параметр q02).
- Используйте кнопки «ГВС» для регулировки параметра «q02», пока на манометре не будет определяться максимальное номинальное давление ниже 1 мбар. Подождите 10 секунд, пока давление не стабилизируется.
- Нажимайте кнопку ГВС "+" для регулировки параметра "q02", пока на манометре не будет определяться максимальное номинальное давление. Подождите 10 секунд, пока давление не стабилизируется.
- Если измеряемое манометром давление отличается от максимального номинального давления, то значение параметра "q02" необходимо увеличивать шагами по 1 или 2 единицы нажатием кнопки ГВС "+": после каждого изменения подождите 10 секунд, пока давление не стабилизируется.
- Когда давление, считываемое по манометру, станет равным максимальному номинальному давлению (только что откалиброванное значение параметра «q02» автоматически сохраняется), нажмите на кнопку **отопления "-"**: на дисплее появится мигающая надпись «q01»; ток модуляции доводится до значения предварительной калибровки параметра абсолютного минимального смещения тока (параметр q01).
- Нажимайте на кнопки ГВС для регулировки параметра «q01» до тех пор, пока на манометре не будет определяться минимальное номинальное давление плюс 0,5 мбар. Подождите 10 секунд, пока давление не стабилизируется.
- Нажимайте на кнопку ГВС "-" для регулировки параметра «q01» до тех пор, пока на манометре не будет определяться минимальное номинальное давление. Подождите 10 секунд, пока давление не стабилизируется.
- Если измеряемое манометром значение отличается от минимального номинального давления, то значение параметра "q01" необходимо уменьшать шагами по 1 или 2 единицы нажатием кнопки ГВС "-": после каждого изменения подождите 10 секунд, пока давление не стабилизируется.

- Когда давление, считываемое по манометру, станет равным минимальному номинальному давлению (только что откалиброванное значение параметра «q01» автоматически сохраняется), проверьте обе настройки путем нажатия на кнопки отопления и, при необходимости, внесите изменения, повторив вышеописанную процедуру.
- Процедура калибровки завершается автоматически через 15 минут или при одновременном нажатии на кнопку **отопления "+"** и Eco/comfort на 5 секунд.

#### Проверка значений давления газа и регулировка в ограниченном диапазоне

- Убедитесь, что давление подачи соответствует значению, приведенному в таблице технических данных.
- Подключите подходящий манометр к разьему измерения давления "В", расположенному после газового клапана.
- Активируйте режим **TEST** и следуйте инструкциям по проверке давления газа при максимальной и минимальной мощности (см. следующий параграф).

Если показания максимального и/или минимального номинального давления на манометре отличаются от указанных в таблице технических данных, действуйте в следующей последовательности.

- При нажатии на кнопку Eco/Comfort на 2 секунды происходит переход в режим калибровки газового клапана в ограниченном диапазоне.
- Плата переходит к настройке "q02"; при нажатии кнопок ГВС отображается текущее сохраненное значение.
- Если измеряемое манометром **максимальное давление** отличается от номинального, то значение параметра "q02" необходимо увеличивать/уменьшать шагами по 1 или 2 единицы нажатием кнопок ГВС: после каждого изменения подождите 10 секунд, пока давление не стабилизируется.
- Нажмите клавишу отопления "-" (поз. 3 - рис. 1).
- Плата переходит к настройке "q01"; при нажатии кнопок ГВС отображается текущее сохраненное значение.
- Если измеряемое манометром **минимальное давление** отличается от номинального, то значение параметра "q01" необходимо увеличивать/уменьшать шагами по 1 или 2 единицы нажатием кнопок ГВС: после каждого изменения подождите 10 секунд, пока давление не стабилизируется.
- Проверьте обе регулировки нажатием клавиш отопления и произведите соответствующие коррективы, если это необходимо, выполнением вышеописанной процедуры.
- При нажатии клавиши Eco/Comfort на 2 секунды система возвращается в режим TEST.
- Выключите режим **TEST** (см. следующий параграф).
- Отсоедините манометр.

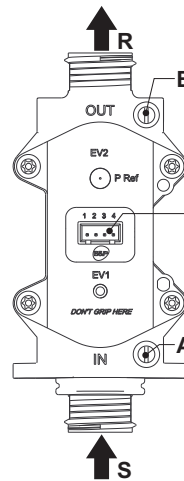


рис. 17 - Газовый клапан

- A - Штуцер отбора давления, расположенный перед газовым клапаном
- B - Штуцер отбора давления, расположенный после газового клапана
- I - Электрический разъем для подключения газового клапана
- R - Выход газа
- S - Подвод газа

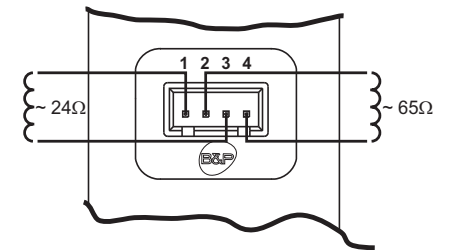


рис. 18 - Электрический разъем для подключения газового клапана

TYPE SGV100  
 Pi макс. 65 мбар  
 24 В пост. тока - класс В+А

#### Активация режима TEST

Одновременно нажмите на кнопки системы отопления (поз. 3 и 4 - рис. 1) в течение 5 секунд для активации режима **TEST**. Котел включится на максимальной мощности, заданной так, как указано в следующем параграфе.

На дисплее мигают символы отопления и ГВС (рис. 19); рядом отображается мощность отопления.

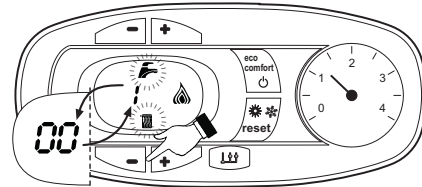


рис. 19 Режим TEST (мощность системы отопления = 100%)

Нажмите на кнопки системы отопления (поз. 3 и 4 - рис. 1) для увеличения или уменьшения мощности (минимальная мощность = 00% - максимальная мощность = 100%).

Нажатием на кнопку системы ГВС "-" (поз. 1 - рис. 1) мощность котла немедленно настраивается на минимальную (0%). Нажатием на кнопку системы ГВС "+" (поз. 2 - рис. 1) мощность котла немедленно настраивается на максимальную (100%).

В случае активации режима TEST и забора воды ГВС, достаточного для активации режима ГВС, котел остается в режиме TEST, но 3-ходовой клапан переключается в режим ГВС.

Для отключения режима TEST одновременно нажмите на кнопки отопления (поз. 3 и 4 - рис. 1) в течение 5 секунд.

Режим TEST в любом случае автоматически отключится через 15 минут или по завершении забора воды ГВС (в случае если величина забора достаточна для активации режима ГВС).



## Регулировка мощности отопления

Для регулировки мощности отопления установите котел в режим TEST (см. sez. 4.1). Нажимайте кнопки задания температуры воды в системе отопления (поз. 3 - рис. 1) для соответственного увеличения или уменьшения мощности (минимальная = 00 / максимальная = 100). При нажатии в течение 5 секунд после этого кнопки "СБРОС" сохранится только что заданная максимальная мощность. Выйдите из режима TEST (см. sez. 4.1).

## Меню конфигурации

Доступ к меню конфигурации обеспечивается одновременным нажатием кнопок ГВС на 10 секунд. Имеются **12 параметров**, обозначенные буквой "b": такие параметры не могут изменяться с устройства дистанционного управления с таймером.

С помощью кнопок отопления имеется возможность просматривать список параметров в порядке возрастания или убывания. Чтобы отобразить или изменить значение параметра, достаточно использовать кнопки ГВС: изменение сохраняется автоматически.

Указатель	Описание	Диапазон	Параметр
b01	Выбор вида газа	0=Метан 1=Сжиженный нефтяной газ	0
b02	Выбор типа котла	1=мгновенный выход горячей воды с битермическим теплообменником 2=мгновенный выход горячей воды с монотермическим теплообменником 3=Только отопл. (3-ход. клапан) 4=Только отопл. (циркуляционный насос)	3
b03	Выбор типа камеры сгорания	0=Герметичная камера с контролем сгорания (без реле давл.дыма) 1=Открытая камера (с термост.дыма) 2=Герметичная камера (с реле давл.дыма) 3=Герметичная камера с контролем сгорания (с терм.дыма на улавливателе) 4=LOW NOx герметичная камера с контролем сгорания (без реле давл.дыма) 5=LOW NOx открытая камера (с термост.дыма)	0
b04	Выбор типа основного теплообменника	0 ч 13	4 (для модели HF24) 5 (для модели HF32)
b05	Выбор работы реле переменного выхода (b02=1)	0 = Наружный газовый клапан 1 = Электроклапан заполнения системы 2 = 3-ходовой клапан для солнечных панелей 3 = Питание светового индикатора при наличии неисправности 4 = Питание светового индикатора при отсутствии неисправности 5 = Внешний циркуляционный насос (во время работы по требованию и периода после циркуляции)	ОТСУТСТВУЕТ ДЛЯ ДАННОЙ МОДЕЛИ
	Не влияет на регулировку (b02=2)	--	0
	Не влияет на регулировку (b02=3)	--	
	Не влияет на регулировку (b02=4)	--	
b06	Частота сетевого напряжения	0=50 Гц 1=60 Гц	0
b07	Время включенной горелки в режиме Comfort (b02=1)	0-20 секунд	5
	Не влияет на регулировку (b02=2)	--	
	Не влияет на регулировку (b02=3)	--	
	Не влияет на регулировку (b02=4)	--	
b08	Привод газового клапана	0 = Стандартный, 1	0
b09	Выбор типа запроса режима ГВС	0 = Регулятор расхода 1 = Расходомер (190 имп./л) 2 = Расходомер (450 имп./л) 3 = Расходомер (700 имп./л)	1
b10	Программирование расходомера по времени (b02=1)	0 = Отключено 1 ч 10=секунд	0
	Программирование расходомера по времени (b02=2)	0=выключено 1-10=секунд	
	Не влияет на регулировку (b02=3)	--	
	Не влияет на регулировку (b02=4)	--	

Указатель	Описание	Диапазон	Параметр
b11	Расход при включении режима ГВС (b02=1)	10 ч 100 л/мин/10	
	Расход при включении режима ГВС (b02=2)	10 ч 100 л/мин/10	15
	Не влияет на регулировку (b02=3)	--	
	Не влияет на регулировку (b02=4)	--	
b12	Подключение процедуры "Самонастройка"	0 = Исключена 1 = Подключена	0

## Примечание:

- Параметры с несколькими описаниямименяют свое значение и/или диапазон в зависимости от установкипараметра, данного в скобках.
- Параметры с несколькими описаниямивозвращаются к стандартному значению в случае изменения параметра, приведенного в скобках.

Доступ к меню конфигурации обеспечивается нажатием на кнопки системы ГВС в течение 10 секунд либо автоматически по истечении 2 минут.

## Меню "Обслуживание"

Доступ к меню "Обслуживание" открывается при нажатии на кнопку "Сброс" на 20 секунд. Имеется 4 подменю: путем нажатия на кнопки режима отопления можно выбрать "tS", "In", "Hi" или "rE" по нарастающей или по убывающей. "tS" обозначает «Меню прозрачных параметров», "In" обозначает «Информационное меню», "Hi" обозначает «Меню архива сигнализации»: для входа в выбранное подменю необходимо повторно нажать на кнопку «Сброс»; "rE" обозначает «Сброс меню архива сигнализации»: см.описание.

## "tS" - "Меню прозрачных параметров"

Предусмотрено **21** параметров, отмеченных буквой "P", которые можно изменять, в том числе, с пульта дистанционного управления с таймером.

С помощью кнопок отопления имеется возможность просматривать список параметров в порядке возрастания или убывания. Чтобы отобразить или изменить значение параметра, достаточно использовать кнопки ГВС: изменение сохраняется автоматически.

Указатель	Описание	Диапазон	FL D HF
P01	Смещение кривой розжига	0-40	20
P02	Кривая отопления	1-20°С/мин	5
P03	Время ожидания отопления	0-10 минут	2
P04	Пост-циркуляция в системе отопления	0-20 минут	6
P05	Максимальная пользовательская настройка отопления	31-85°С	80
P06	Максимальная мощность отопления	0-100%	100
P07	Выключение горелки в режиме ГВС (b02=1)	0=Фиксированное	
		1=Связанное с заданным значением	
		2=Солнечная панель	
		3 = НЕ ИСПОЛЬЗОВАТЬ 4 = НЕ ИСПОЛЬЗОВАТЬ	
P07	Выключение горелки в режиме ГВС (b02=2)	0=Фиксированное	0
		1=Связанное с заданным значением	
		2=Солнечная панель	
		3 = НЕ ИСПОЛЬЗОВАТЬ 4 = НЕ ИСПОЛЬЗОВАТЬ	
	Гистерезис бойлера (b02=3)	0 (не использовать) 1-2-3-4°С	
	Гистерезис бойлера (b02=4)	0 (не использовать) 1-2-3-4°С	
P08	Время ожидания ГВС (b02=1)	0-60 секунд	30
	Время ожидания ГВС (b02=2)	0-60 секунд	
	Время ожидания ГВС (b02=3)	0-60 секунд	
	Время ожидания ГВС (b02=4)	0-60 секунд	
P09	Максимальное значение температуры в системе ГВС, задаваемое пользователем (b02=1)	50-65°С	50
	Максимальное значение температуры в системе ГВС, задаваемое пользователем (b02=2)	50-65°С	
	Максимальное значение температуры в системе ГВС, задаваемое пользователем (b02=3)	50-65°С	
	Максимальное значение температуры в системе ГВС, задаваемое пользователем (b02=4)	50-65°С	
P10	Температура при функции антиинерции (b02=1)	5-85°С	0
	Не влияет на регулировку (b02=2)	--	
	Температура подаваемой воды в системе ГВС (b02=3)	70-85°С	
	Температура подаваемой воды в системе ГВС (b02=4)	70-85°С	
P11	Пост-циркуляция при функции антиинерции (b02=1)	0-10 секунд	30
	Пост-циркуляция в системе ГВС (b02=2)	0-60 секунд	
	Пост-циркуляция в системе ГВС (b02=3)	0-60 секунд	
	Пост-циркуляция в системе ГВС (b02=4)	0-60 секунд	
P12	Максимальная мощность в режиме ГВС	0-100%	100
P13	Абсолютная минимальная мощность	0-100%	0
P14	Пост-вентиляция	0=Значение по умолчанию	0
		1=50 секунд	



Указатель	Описание	Диапазон	FL D HF
P15	Смещение предела CO <sub>2</sub> (b03=0)	0 (Минимальное) 30 (Максимальное)	20
	Не влияет на регулировку (b03=1)	--	
	Не влияет на регулировку (b03=2)	--	
	Смещение предела CO <sub>2</sub> (b03=3)	0 (Минимальное) 30 (Максимальное)	
	Смещение предела CO <sub>2</sub> (b03=4)	0 (Минимальное) 30 (Максимальное)	
P16	Сработала защита теплообменника	0=No F43	10
		1-15=1-15°C/сек.	
P17	Макс. абсолютная скорость модулирующего насоса	Работает на 100%. Регулируется с помощью дополнительного кабеля.	100
P18	Макс. абсолютная скорость насоса пост-циркуляции	0-100% не работает. В данной модели всегда на 100%	60
P19	Температура выключения режима "Солнечные панели" (b02=1)	0±20°C	10
	Температура выключения режима "Солнечные панели" (b02=2)	0±20°C	
	Не влияет на регулировку (b02=3)	--	
	Не влияет на регулировку (b02=4)	--	
P20	Температура включения режима "Солнечные панели" (b02=1)	0±20°C	10
	Температура включения режима "Солнечные панели" (b02=2)	0±20°C	
	Не влияет на регулировку (b02=3)	--	
	Не влияет на регулировку (b02=4)	--	
P21	Время ожидания режима "Солнечные панели" (b02=1)	0-20 секунд	10
	Время ожидания режима "Солнечные панели" (b02=2)	0-20 секунд	
	Не влияет на регулировку (b02=3)	--	
	Не влияет на регулировку (b02=4)	--	

**Примечание:**

1. Параметры с несколькими описаниями имеют свое значение и/или диапазон в зависимости от установившегося параметра, данного в скобках.
2. Параметры с несколькими описаниями возвращаются к стандартному значению в случае изменения параметра, приведенного в скобках.
3. Параметр максимальной мощности отопления может быть изменен также в режиме Test.

Для возврата к меню Service достаточно нажать кнопку "Reset". Для выхода из меню "Service" электронного блока необходимо нажать кнопку "Reset" в течение 20 секунд или подождать 20 минут, чтобы произошло автоматическое выключение.

**«In» - Информационное меню**

Имеется 9 типов сведений.

Нажатием на кнопки отопления можно просматривать список сведений по нарастающей или убывающей. Для отображения соответствующих значений достаточно использовать кнопки системы ГВС.

Содержание	Наименование	Диапазон
t01	Датчик NTC системы отопления (°C)	между 05 и 125°C
t02	Датчик NTC, защитный (°C)	между 05 и 125°C
t03	Датчик NTC системы ГВС (°C)	между 05 и 125°C
t04	Датчик NTC, наружный (°C)	в диапазоне -30÷70°C (отрицательные значения мигают) Без NTC = --
L05	Текущая мощность горелки (%)	00%=минимальная, 100%=максимальная
F06	Сопротивление фактического пламени (кОм)	00-99 кОм (- = горелка выключена)
S07	Шаг вентилятора (Число)	0=Выкл., 1=Мин., 2=Средн., 3=Макс.
F08	Текущий расход в системе ГВС (л/мин/10)	л/мин/10 больше 99 мигание 3 цифр
PP09	Текущая скорость модулирующего насоса (%)	00-100% не раб. в данной модели

**Примечание:**

1. В случае повреждения датчика на дисплее электронной платы отображаются штрихи.

Для возврата к меню "Service" достаточно нажать кнопку "Reset". Для выхода из меню "Service" электронной платы необходимо нажать кнопку "Reset" в течение 20 секунд или подождать 20 минут, чтобы произошло автоматическое выключение.

**"Hi" - Меню архива ("History")**

Электронная плата позволяет хранить в памяти информацию о последних 11 неисправностях, которые возникли в системе: H1 обозначена наиболее близкая по времени неисправность; H10 обозначена наиболее отдаленная по времени неисправность.

Весенние в память коды неисправностей можно вывести на дисплей также в соответствующем меню дистанционного пульта управления с таймером.

С помощью кнопок системы отопления имеется возможность просматривать список параметров соответственно в восходящем или нисходящем направлении. Для отображения соответствующих значений используются кнопки системы ГВС.

Для возврата к меню "Service" достаточно нажать кнопку "Reset". Для выхода из меню "Service" электронной платы необходимо нажать кнопку "Reset" в течение 20 секунд или подождать 20 минут, чтобы произошло автоматическое выключение.

**гЕ" - Сброс меню архива ("History")**

При 3-секундном нажатии на кнопку Eco/comfort можно удалить из памяти Меню архива ("History") все неисправности: при этом происходит автоматический выход из меню "Service", что подтверждает успешное завершение операции.

Для выхода из меню "Service" электронной платы необходимо нажать кнопку "Reset" в течение 20 секунд или подождать 20 минут, чтобы произошло автоматическое выключение.

**4.2 Ввод в эксплуатацию**
**Перед включением котла**

- Проверьте герметичность системы подвода газа.
- Проверьте правильность предварительно созданного в расширительном сосуде давления.
- Заполните систему водой и полностью спустите воздух из котла и системы отопления.
- Удостоверьтесь в отсутствии утечек воды из системы отопления, контура ГВС, из котла и в различных соединениях.
- Проверьте правильность выполнения электрических соединений и эффективность заземления.
- Удостоверьтесь, что величина давления газа соответствуют требуемому значению.
- Проверьте, что в непосредственной близости от котла не находятся огнеопасные жидкости и материалы.



**ПРИ НЕСОБЛЮДЕНИИ ВЫШЕУКАЗАННЫХ ИНСТРУКЦИЙ МОЖЕТ ВОЗНИКНУТЬ ОПАСНОСТЬ УДУШЕНИЯ ИЛИ ОТРАВЛЕНИЯ ПО ПРИЧИНЕ ВЫХОДА ГАЗОВ ИЛИ ДЫМОВ, А ТАКЖЕ ОПАСНОСТЬ ПОЖАРА ИЛИ ВЗРЫВА. КРОМЕ ТОГО, МОЖЕТ ВОЗНИКНУТЬ ОПАСНОСТЬ ПОРАЖЕНИЯ ЭЛЕКТРИЧЕСКИМ ТОКОМ ИЛИ ЗАТОПЛЕНИЯ ПОМЕЩЕНИЯ.**

**Контрольные операции, выполняемые во время работы**

- Включите аппарат.
- Проверьте герметичность топливного контура и водопроводов.
- При работающем котле проверьте, нормально ли работают дымоход и воздухопроводы для притока воздуха и удаления дымовых газов.
- Проверьте, правильно ли циркулирует вода между котлом и системой отопления.
- Удостоверьтесь, что газовый клапан правильно обеспечивает модуляцию мощности, как в режиме отопления, так и в режиме ГВС.
- Проверьте работу системы розжига котла. Для этого несколько раз включите и выключите котел путем регулировки комнатного термостата или с пульта дистанционного управления.
- Удостоверьтесь по показаниям счетчика, что расход газа соответствует величине, указанной в таблице технических данных в сар. 5.
- Проверьте, что при отсутствии сигнала на включение отопления, горелка загорается при открытии любого крана системы ГВС. Удостоверьтесь, что во время работы в режиме отопления при открытии крана горячей воды останавливается циркуляционный насос системы отопления и производится выработка воды ГВС.
- Проверьте правильность запрограммированных параметров и, если необходимо, внесите необходимые изменения (кривая погодозависимого регулирования, мощность, температура и т.д.).

**4.3 Техническое обслуживание**
**ПРЕДУПРЕЖДЕНИЯ И МЕРЫ ПРЕДОСТОРОЖНОСТИ**


**ВСЕ ОПЕРАЦИИ ПО ТЕХНИЧЕСКОМУ ОБСЛУЖИВАНИЮ ИЛИ ЗАМЕНЕ КОТЛА ДОЛЖНЫ ВЫПОЛНЯТЬСЯ СПЕЦИАЛИЗИРОВАННЫМ ПЕРСОНАЛОМ С ПОДТВЕРЖДЕННОЙ КВАЛИФИКАЦИЕЙ.**

**Перед выполнением любых операций внутри котла отключите электропитание и закройте газовый вентиль, установленный перед котлом. В противном случае может возникнуть риск взрыва, электрического удара, удушья или отравления.**

**Периодический контроль**

Чтобы обеспечить исправную работу агрегата с течением времени, необходимо раз в года приглашать квалифицированный персонал для следующих проверок:

- Управляющие и предохранительные устройства (газовый клапан, расходомеры, термостаты и пр.) должны исправно работать.
- Контур отвода дыма должен быть безукоризненно эффективным. (Котел с закрытой камерой: вентилятор, реле давления и пр. - Закрытая камера должна быть герметичной: прокладки, прижимы для кабелей и пр.) (Котел с открытой камерой: антинагнетатель, термостат дыма и пр.)
- Трубопроводы и оголовки для забора воздуха и отвода дыма не должны быть загрязнены и не должны иметь утечек
- Горелка и теплообменник должны быть чистыми и без отложений. Для их очистки не используйте химические продукты или стальные щетки.
- Электрод не должен иметь нагара и должен правильно располагаться.

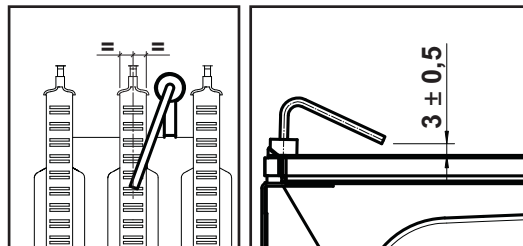


рис. 20 - Положение электрода

- Все газовые и гидравлические соединения должны быть герметичными
- Давление воды в холодном отопительном контуре должно составлять около 1 бара; в противном случае следует настроить это значение.
- Циркуляционный насос не должен быть заблокированным
- Расширительный бак должен быть заполнен
- Расход и давление газа должны соответствовать значениям из соответствующих таблиц.



## 4.4 Устранение неисправностей

### Диагностика

Котел оснащен современной системой самодиагностики. В случае возникновения какой-либо неисправности в котле дисплей начинает мигать вместе с символом неисправности (поз. 11 - рис. 1), отображая код этой неисправности.

Имеются неисправности, вызывающие постоянную блокировку (обозначаемые буквой "А"): для возобновления работы достаточно нажать клавишу СБРОС (поз. 6 - рис. 1) на 1 секунду или, при наличии, клавишу СБРОС на пульте ДУ с таймером (опция). При этом на дисплее высветится надпись "d4" примерно на **30 секунд**, либо "d5" примерно на **5 минут**, показывая время ожидания, по истечении которого котел возобновит нормальную работу. Если этого не произойдет, необходимо устранить неисправность.

Другие неисправности (обозначаемые буквой "F") вызывают временную блокировку, которая снимается автоматически, как только вызвавший сбой параметр возвращается в нормальные рабочие пределы.

### Перечень неисправностей

Таблица. 8

Мигающий неисправности	Неисправность	Возможная причина	Способ устранения
A01	Не произошло зажигание горелки	Отсутствие газа	Проверьте регулярность поступления газа в котел, и что из труб спущен воздух
		Неисправность следящего/поджигающего электрода	Проверьте правильность подключения проводов электрода, правильность его установки и отсутствие на нем отложений
		Неисправный газовый клапан	Проверьте и замените газовый клапан
		Разрыв электропроводки газового клапана	Проверьте правильность подключения проводов
		Слишком низкая мощность розжига	Отрегулируйте мощность розжига
A02	Сигнализация о наличии пламени при его отсутствии на горелке	Неисправность электрода	Проверьте электрические соединения ионизирующего электрода
		Неисправность электронной платы	Проверьте электронную плату
A03	Сработала защита от перегрева	Поврежден датчик температуры воды в системе отопления	Проверьте правильность установки и исправность датчика температуры воды в системе отопления
		Отсутствие циркуляции воды в системе	Проверьте циркуляционный насос
		Наличие воздуха в системе	Стравите воздух из системы
F04	Сбои в параметрах электронной платы	Неправильно задано значение параметра электронной платы	Проверьте электронную плату и измените соответствующий параметр, если это необходимо
F05	Сбои в параметрах электронной платы	Неправильно задано значение параметра электронной платы	Проверьте электронную плату и измените соответствующий параметр, если это необходимо
		Обрыв соединительного кабеля	Проверьте правильность подключения проводов
		Неисправный вентилятор	Проверьте вентилятор
A06	Отсутствие пламени после цикла розжига	Неисправность электронной платы	Проверьте электронную плату
		Низкое давление в газовой магистрали	Проверьте величину давления газа
		Тарировка минимального давления горелки	Проверьте величины давления
F07	Сбои в параметрах электронной платы	Неправильно задано значение параметра электронной платы	Проверьте электронную плату и измените соответствующий параметр, если это необходимо
A09	Неисправность газового вентиля	Обрыв соединительного кабеля	Проверьте правильность подключения проводов
		Неисправный газовый клапан	Проверьте и при необходимости замените газовый клапан
F10	Неисправность датчика 1 температуры воды в подающем контуре системы отопления	Датчик поврежден	Проверьте кабельные соединения датчика или замените его
		Короткое замыкание в соединительном кабеле	
		Обрыв соединительного кабеля	
F11	Неисправность датчика температуры воды в контуре ГВС	Датчик поврежден	Проверьте кабельные соединения датчика или замените его
		Короткое замыкание в соединительном кабеле	
		Обрыв соединительного кабеля	
F14	Неисправность датчика температуры воды 2 в подающем контуре системы отопления	Датчик поврежден	Проверьте кабельные соединения датчика или замените его
		Короткое замыкание в соединительном кабеле	
		Обрыв соединительного кабеля	

Мигающий неисправности	Неисправность	Возможная причина	Способ устранения
A16	Неисправность газового вентиля	Обрыв соединительного кабеля	Проверьте правильность подключения проводов
		Неисправный газовый клапан	Проверьте и при необходимости замените газовый клапан
F20	Неисправность устройств а контроля над сгоранием	Неисправность вентилятора	Проверьте вентилятор в состоянии электропроводки вентилятора
		Неверная диафрагма	Проверьте и при необходимости замените диафрагму
		Дымоход неверных размеров или забит	Проверьте канал
A21	Ненормальное сгорание	Возникновение неисправности F20 пять раз в течение последних 10 минут	Смотреть код неисправности F20
A23	Сбои в параметрах электронной платы	Неправильно задано значение параметра электронной платы	Проверьте электронную плату и измените соответствующий параметр, если это необходимо
A24	Сбои в параметрах электронной платы	Неправильно задано значение параметра электронной платы	Проверьте электронную плату и измените соответствующий параметр, если это необходимо
F34	Напряжение сети меньше 180 В.	Неисправности в сети электропитания	Проверьте состояние системы электропитания
F35	Нарушения в частоте тока в сети электропитания	Неисправности в сети электропитания	Проверьте состояние системы электропитания
F37	Неверное давление воды в системе	Слишком низкое давление в системе	Заполните систему водой
		Реле давления воды не подключено или неисправно	Проверьте датчик
F39	Неисправность датчика внешней температуры	Датчик поврежден или короткое замыкание в соединительном кабеле	Проверьте кабельные соединения датчика или замените его
		Отсоединен датчик после активации режима плавающей температуры	Снова подсоедините внешний датчик или отключите режим плавающей температуры
A41	Положение датчиков	Датчики температуры воды в подающем контуре системы отопления или в контуре ГВС отсоединены от трубы	Проверьте правильность установки и функционирования датчиков
F42	Неисправность датчика температуры воды в системе отопления	Датчик поврежден	Замените датчик
F43	Сработала защита теплообменника.	Отсутствие циркуляции H <sub>2</sub> O в системе	Проверьте циркуляционный насос
		Наличие воздуха в системе	Стравите воздух из системы
F50	Неисправность газового вентиля	Разрыв электропроводки модулирующего устройства	Проверьте правильность подключения проводов
		Неисправный газовый клапан	Проверьте и при необходимости замените газовый клапан
A51	Ненормальное сгорание	Забит канал отвода продуктов сгорания/воздухозабор	Проверьте канал

## 5. ХАРАКТЕРИСТИКИ И ТЕХНИЧЕСКИЕ ДАННЫЕ

Таблица. 9- Список обозначений, рис. 27, рис. 28 и рис. 29

5 Герметичная камера	44 Газовый клапан
10 Подача в систему - ШЗ/4"	56 Расширительный бак
11 Возврат из системы - ШЗ/4"	74 Вентиль для заполнения системы
14 Предохранительный клапан	81 Поджигающий/следящий электрод
16 Вентилятор	95 Распределительный клапан
19 Камера сгорания	114 Реле давления воды
22 Горелка	187 Диафрагма дымовых газов
27 Медный теплообменник для систем отопления и ГВС	209 Подача в бойлер - Ø3/4"
28 Дымовой коллектор	210 Возврат воды из бойлера - Ø3/4"
29 Патрубок для отвода дымовых газов	241 Автоматический обводной клапан (байпас)
32 Циркуляционный насос системы отопления	278 Двойной датчик (предохранительный + температуры воды в системе отопления)
36 Автоматический воздухоотвод	



## 5.1 Dimensions and connections

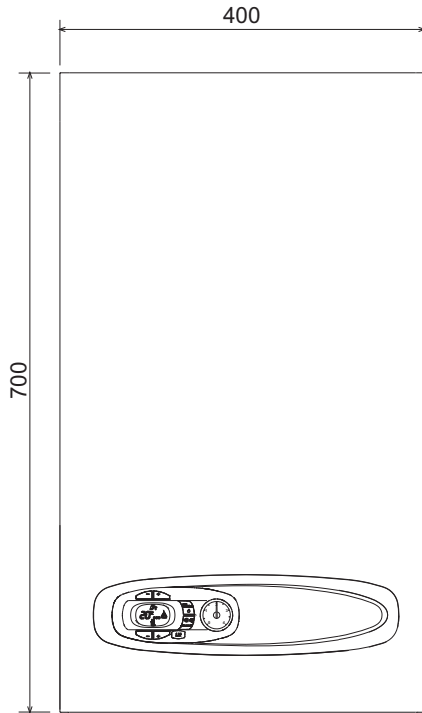


fig. 21- Front view

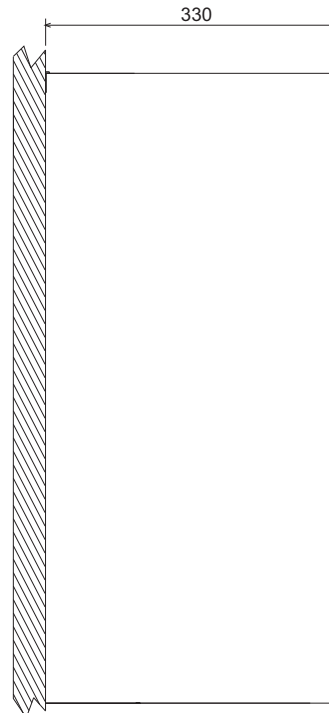


fig. 22- Side view

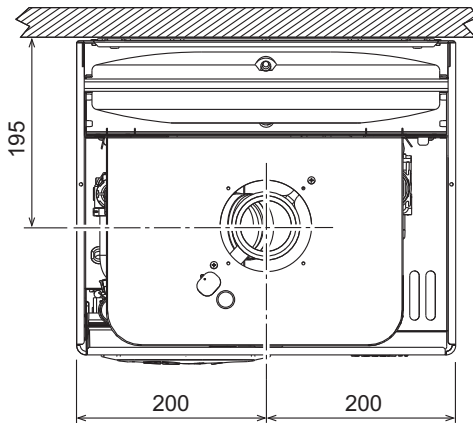


fig. 23- Top view - HF24 and HF32

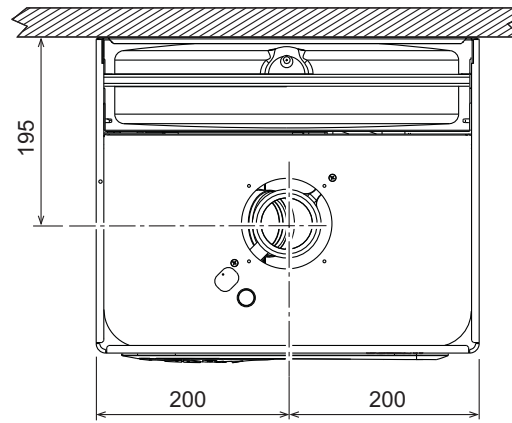


fig. 24- Top view HF32

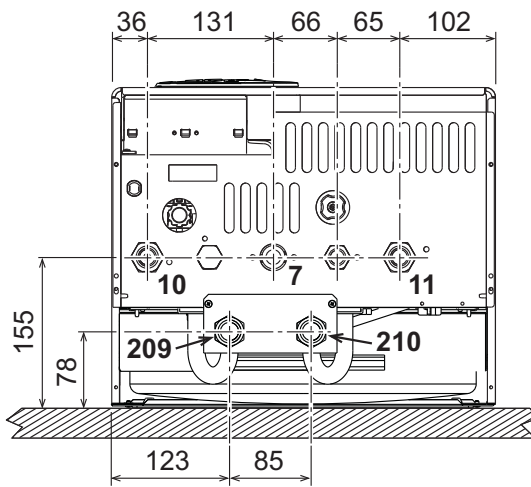


fig. 25- Bottom view - HF24 and HF32

- 7 Gas inlet - Ø 3/4"
- 10 System delivery - Ø 3/4"
- 11 System return - Ø 3/4"
- 209 Hot water tank delivery - Ø 3/4"
- 210 Hot water tank return - Ø 3/4"

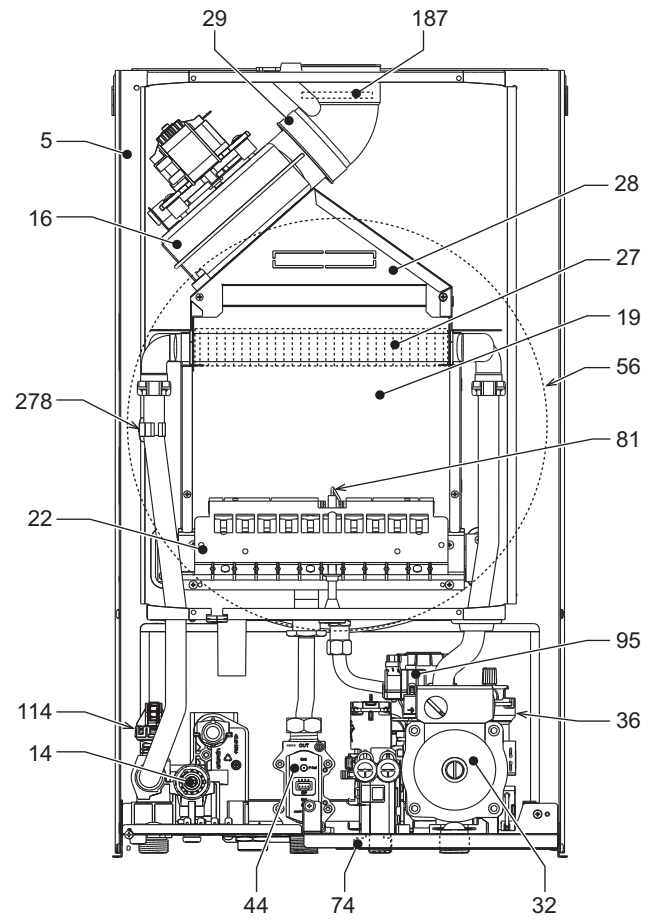
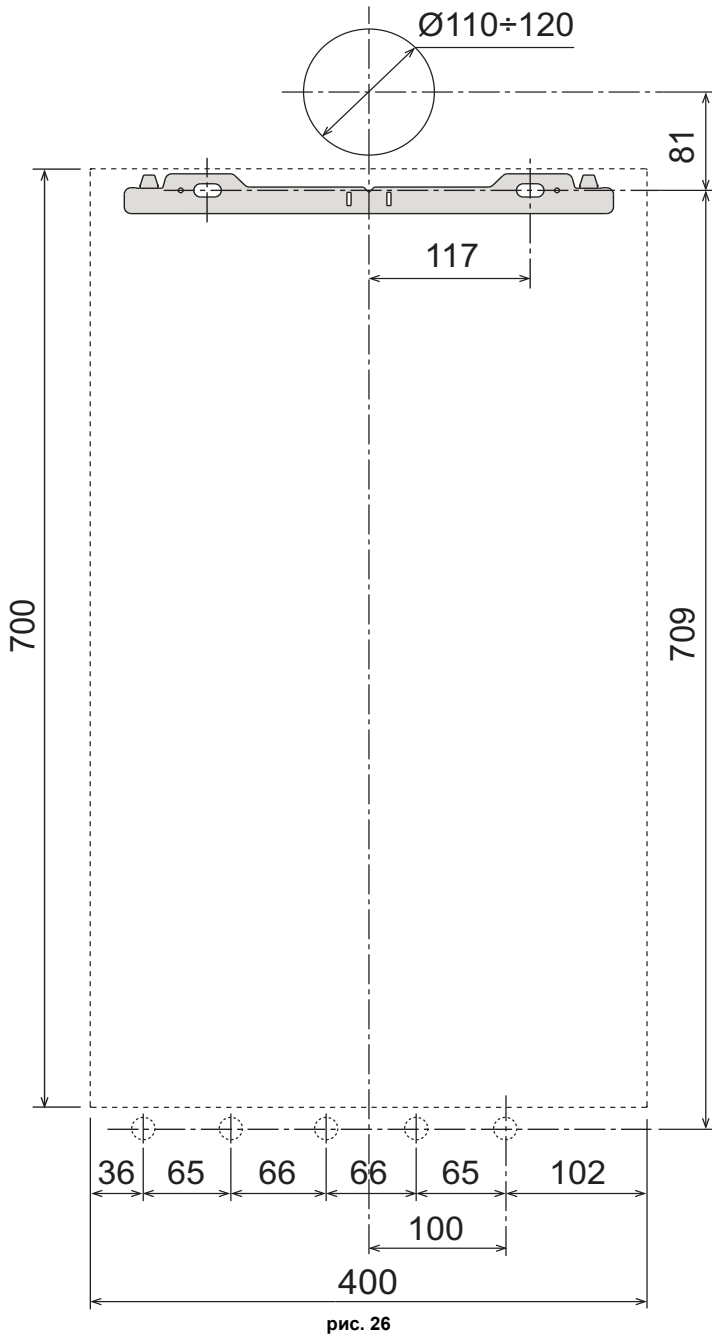


рис. 27- Общий вид - FL D HF24

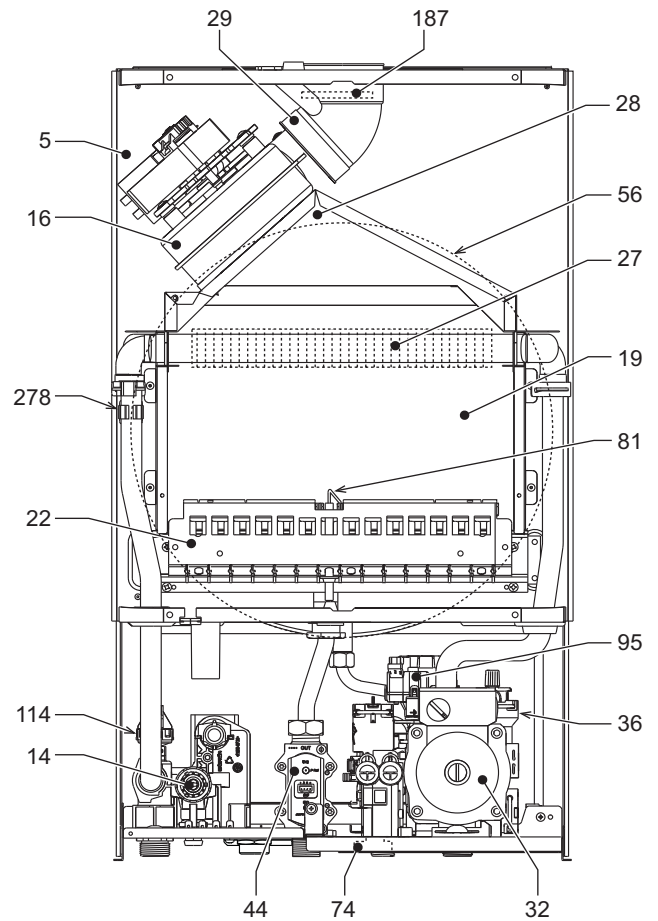
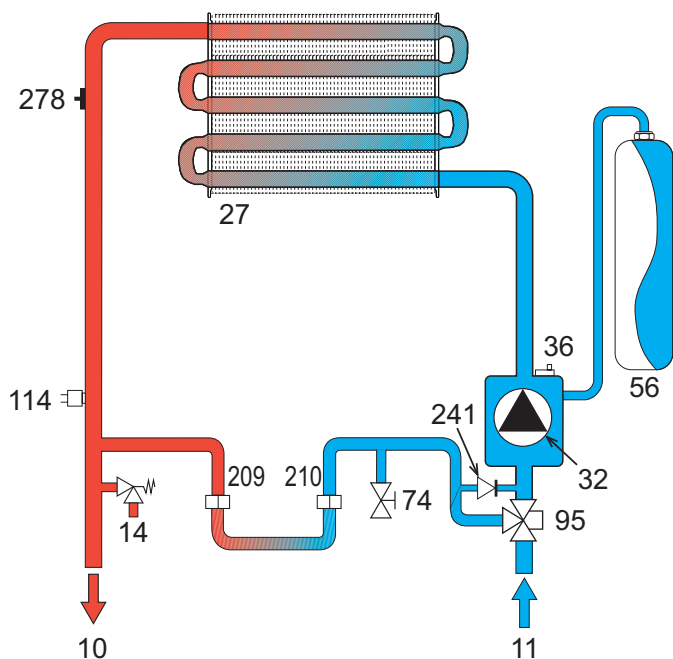


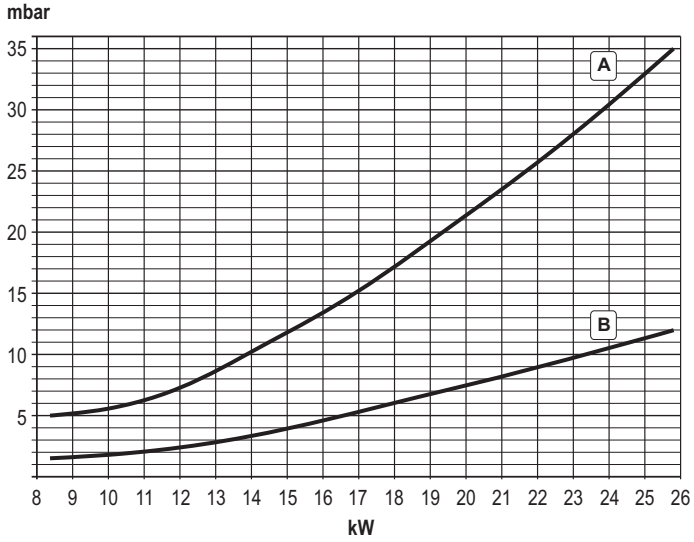
рис. 28- Общий вид - FL D HF32

**5.3 Гидравлический контур**

**рис. 29- Контур отопления**
**5.4 Таблица технических данных**

Параметр	Единица измерения	FL D HF24	FL D HF32	
Макс. расход тепла	кВт	25,8	34,4	(Q)
Мин. теплопроизводительность	кВт	8,3	11,5	(Q)
Макс. тепловая мощность системы отопления	кВт	24,0	32,0	(P)
Мин. тепловая мощность системы отопления	кВт	7,2	9,9	(P)
КПД Pmax (80-60°C)	%	93,0	93,1	
КПД 30%	%	90,5	91,0	
Класс по выбросам NOx	-	3 (<150 мг/кВт·ч)		(NOx)
Сопла горелки G20	шт. x диам.	11 x 1,35	15 x 1,35	
Давление подачи газа на G20	мбар	20,0	20,0	
Макс. давление газа в горелке (G20)	мбар	12,0	12,0	
Мин. давление газа в горелке (G20)	мбар	1,5	1,5	
Макс. расход газа на G20	м³/ч	2,73	3,64	
Мин. расход газа на G20	м³/ч	0,88	1,22	
Сопла горелки G31	шт. x диам.	11 x 0,79	15 x 0,79	
Давление подачи газа на G31	мбар	37	37	
Макс. давление газа в горелке (G31)	мбар	35,0	35,0	
Мин. давление газа в горелке (G31)	мбар	5,0	5,0	
Макс. расход газа на G31	кг/ч	2,00	2,69	
Мин. расход газа на G31	кг/ч	0,65	0,90	
Макс. рабочее давление в системе отопления	бар	3	3	(PMS)
Мин. рабочее давление в системе отопления	бар	0,8	0,8	
Макс. температура в системе отопления	°C	90	90	(tmax)
Объем воды в системе отопления	л	1,0	1,2	
Вместимость расширительного сосуда системы отопления	л	8	10	
Предварительное давление расширительного сосуда системы отопления	бар	1	1	
Класс защиты	IP	X5D	X5D	
Напряжение питания	В/Гц	230 В/50 Гц		
Потребляемая электрическая мощность	Вт	110	135	
Порожний вес	кг	32	35	
Тип агрегата		C <sub>12</sub> -C <sub>22</sub> -C <sub>32</sub> -C <sub>42</sub> -C <sub>52</sub> -C <sub>62</sub> -C <sub>72</sub> -C <sub>82</sub> -B <sub>22</sub>		

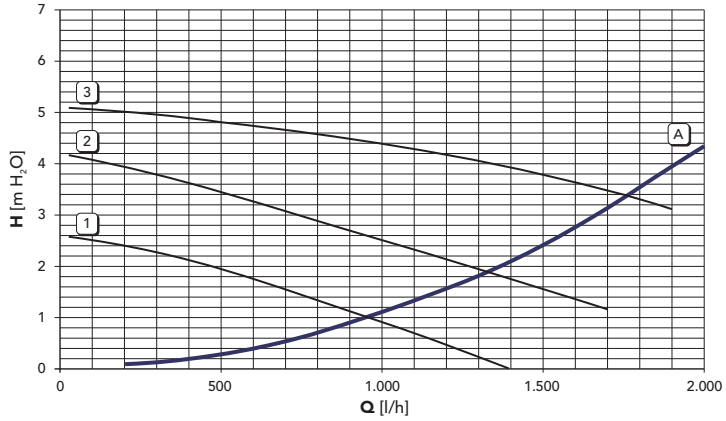
## 5.5 Диаграммы

Диаграммы давление - мощность FL D HF24



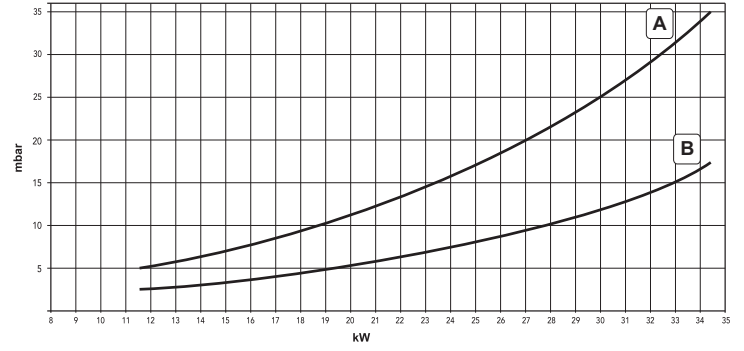
A = СНГ - B = МЕТАН

Потери нагрузки/напора циркуляционных насосов FL D HF24



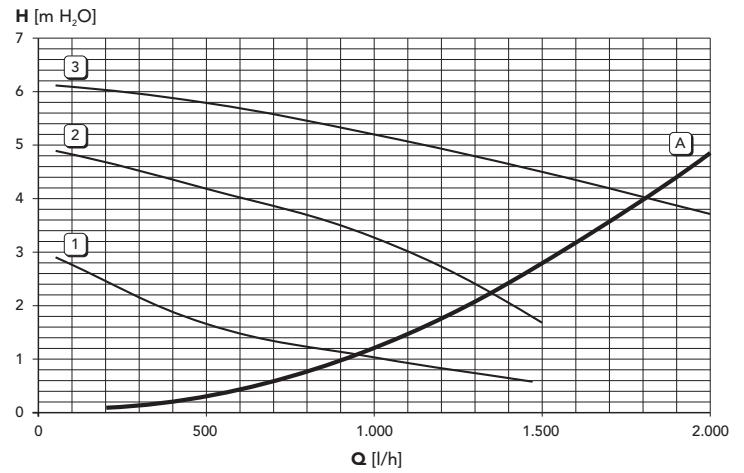
A = Потери нагрузки в котле - 1, 2 и 3 = Скорость циркуляционного насоса

Диаграммы давление - мощность FL D HF32



A = СНГ - B = МЕТАН

Потери нагрузки/напора циркуляционных насосов FL D HF32



A = Потери напора котла - 1, 2 и 3 = Скорость циркуляционного насоса



5.6 Электрическая схема

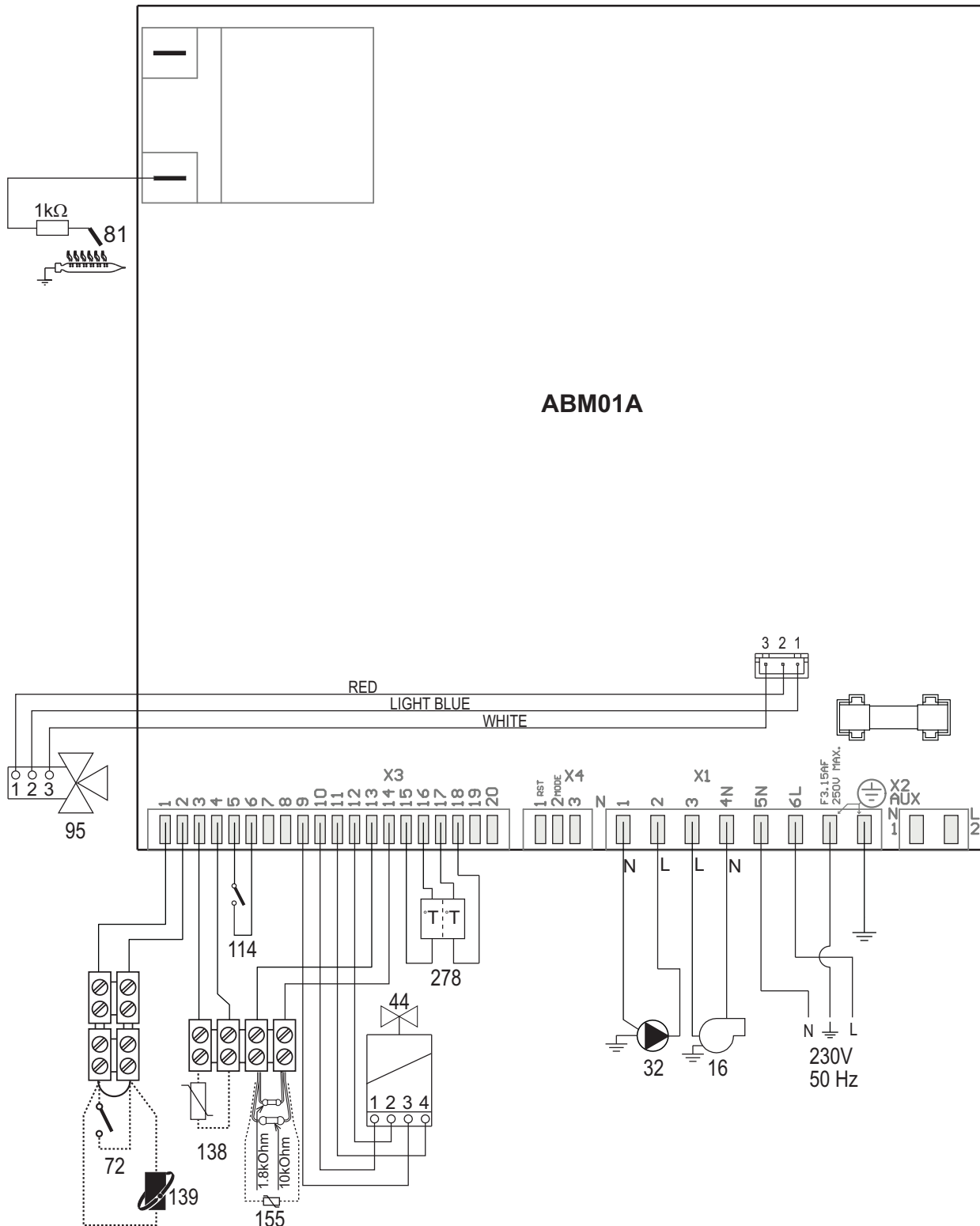


рис. 30- Электрическая схема

**Внимание:** Перед подключением комнатного термостата или устройства ДУ с таймером снимите перемычку на клеммнике.

- 16 Вентилятор
- 32 Циркуляционный насос системы отопления
- 44 Газовый клапан
- 72 Комнатный термостат (опция)
- 81 Поджигающий/следающий электрод
- 95 Распределительный клапан
- 114 Реле давления воды
- 138 Внешний датчик (опция)
- 139 Пульт дистанционного управления с таймером (опция)
- 155 Датчик температуры воды в бойлере (опция)
- 278 Двойной датчик (предохранительный + температуры воды в системе отопления)





BRUCIATORI  
CALDAIE MURALI E TERRA A GAS  
GRUPPI TERMICI IN GHISA E IN ACCIAIO  
GENERATORI DI ARIA CALDA  
TRATTAMENTO ACQUA  
CONDIZIONAMENTO



*Lamborghini*  
CALORECLIMA

VIA RITONDA, 78/A  
37047 SAN BONIFACIO - VERONA - ITALIA

Организация, уполномоченная производителем на принятие претензий от потребителя: ИЗАО "ФерролиБел". УНП 690655161.  
Адрес: улица Заводская, дом 45, город Фаниполь, Дзержинский район, Минская область, Республика Беларусь, 222750.  
Телефон: +375 (17) 169-79-49, адрес электронной почты: ferroli@ferroli.by.

Made in Italy  
Сделано в Италии

